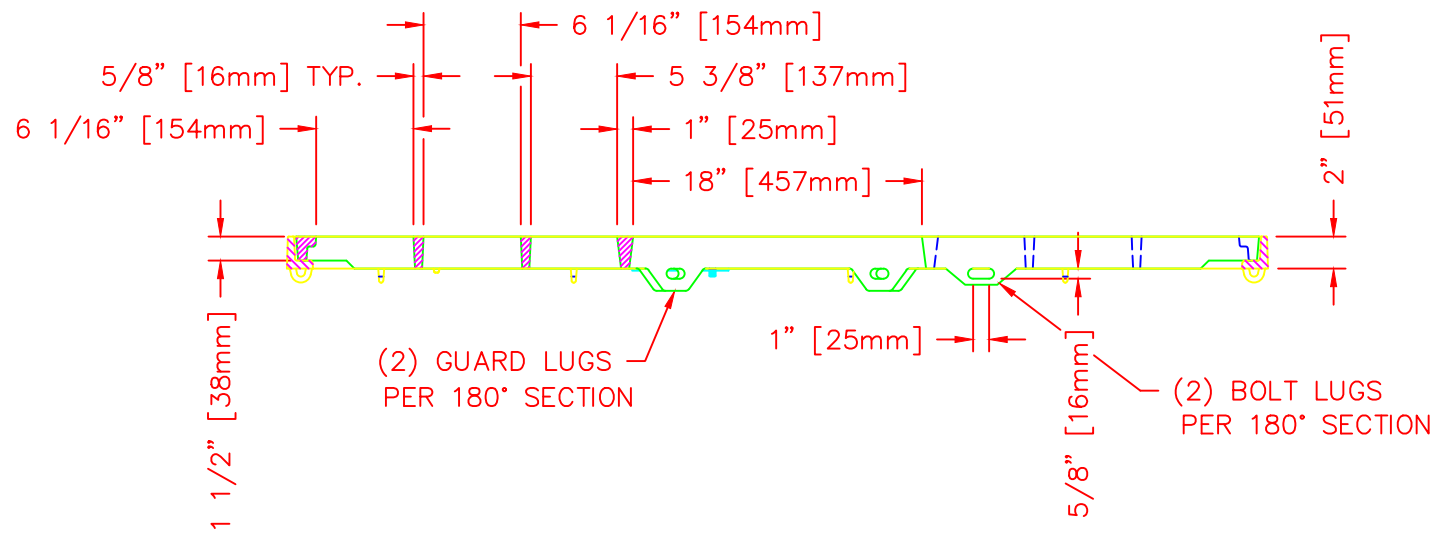


TREE GRATE HALVES BOLTED TOGETHER w/ (2) 1/2-13 X 3 STNLS. STL. HEX. BOLT AND HEX. NUT w/ WASHERS



NOTE: FRAME CROSS BAR REQUIRES REMOVAL AFTER INSTALLATION.  
 ALL DIMENSIONS ARE SHOWN IN ENGLISH AND [METRIC].  
 COMPONENT NO'S: (4) 5'-0" FRAME 8500-6060; (2) TREE GRATE 8746-0010  
 MATERIAL: CAST GRAY IRON ASTM A-48, CLASS 35B  
 FINISH: NOT PAINTED  
 WEIGHT: 512#/SET

7-29-98	REVISED FRAME	KMH
DATE	REVISION	INT

DR. M. LAWTON	SCALE 1"=1'-0"	TITLE: R-8746-A
CH.		5'-0" SQUARE TREE GRATE & FRAME
APP.	DIM CHK.	NEENAH FOUNDRY COMPANY
DATE 10-12-94		NEENAH WISCONSIN 54956
		NF-8746 191 B