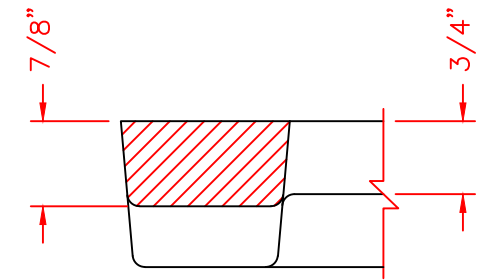


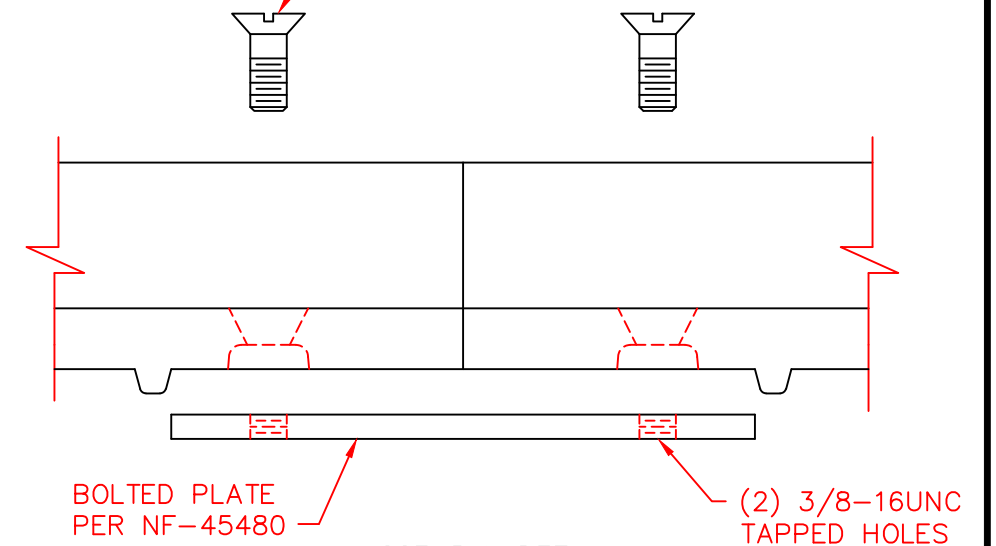
REDUCER GRATES BOLTED TO TREE GRATES
(6 PLACES) DRILL, TAP, AND COUNTERSINK
FOR 1/4" DIA. STNLS. STL. F.H. CAP SCREW

TREE GRATE HALVES BOLTED TOGETHER
(4 PLACES) w/ 1/2-13 X 3" STNLS. STL.
HEX. BOLT AND HEX. NUT w/ WASHERS



SECTION A-A
HALF SCALE

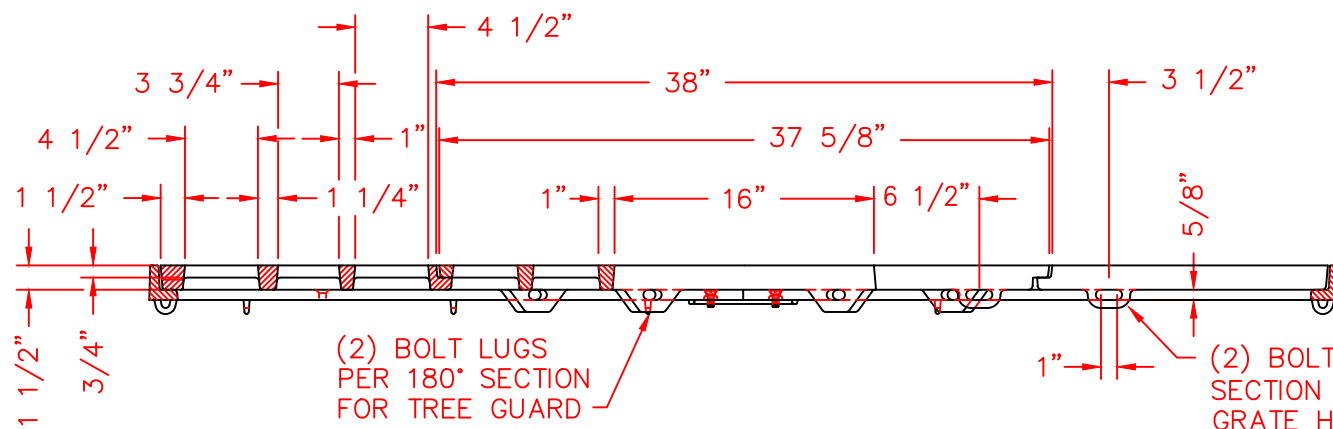
FRAMES ARE ASSEMBLED USING
A 6" X 1 1/4" X 1/4" THICK
STEEL PLATE BOLTED TO FRAME
w/ (2) 3/8-16UNC X 1 STNLS.
STL. FLAT HD. CAP SCREWS



BOLTED PLATE
PER NF-45480

(2) 3/8-16UNC
TAPPED HOLES

ASSEMBLY DETAIL
HALF SCALE



(2) BOLT LUGS
PER 180° SECTION
FOR TREE GUARD

(2) BOLT SLOTS PER 180°
SECTION FOR BOLTING TREE
GRATE HALVES TOGETHER

NOTE: FRAME CROSS BAR REQUIRES REMOVAL AFTER INSTALLATION.

COMPONENT NO'S: (4) 6'-0" SQUARE FRAME 8500-7272

(2) GRATE 8718-0008; (2) REDUCER GRATE 8718-0007

MATERIAL: CAST GRAY IRON ASTM A-48, CLASS 35B

FINISH: NOT PAINTED

WEIGHT: 1022#/SET

DR. M. LAWTON	SCALE 1'=1'-0"	TITLE: R-8718-A 6'-0" SQUARE TREE GRATE & FRAME
CH.	DIM CHK.	NEENAH FOUNDRY COMPANY NEENAH WISCONSIN 54956
APP.	DATE 11-3-94	NF-8718 201 B

02-02-2006	REMOVED MATERIAL FROM SEAT AREA, SEE DETAIL A-A	CSK
04-21-97	REVISE FRAME DIMS.	CSK
DATE	REVISION	INT