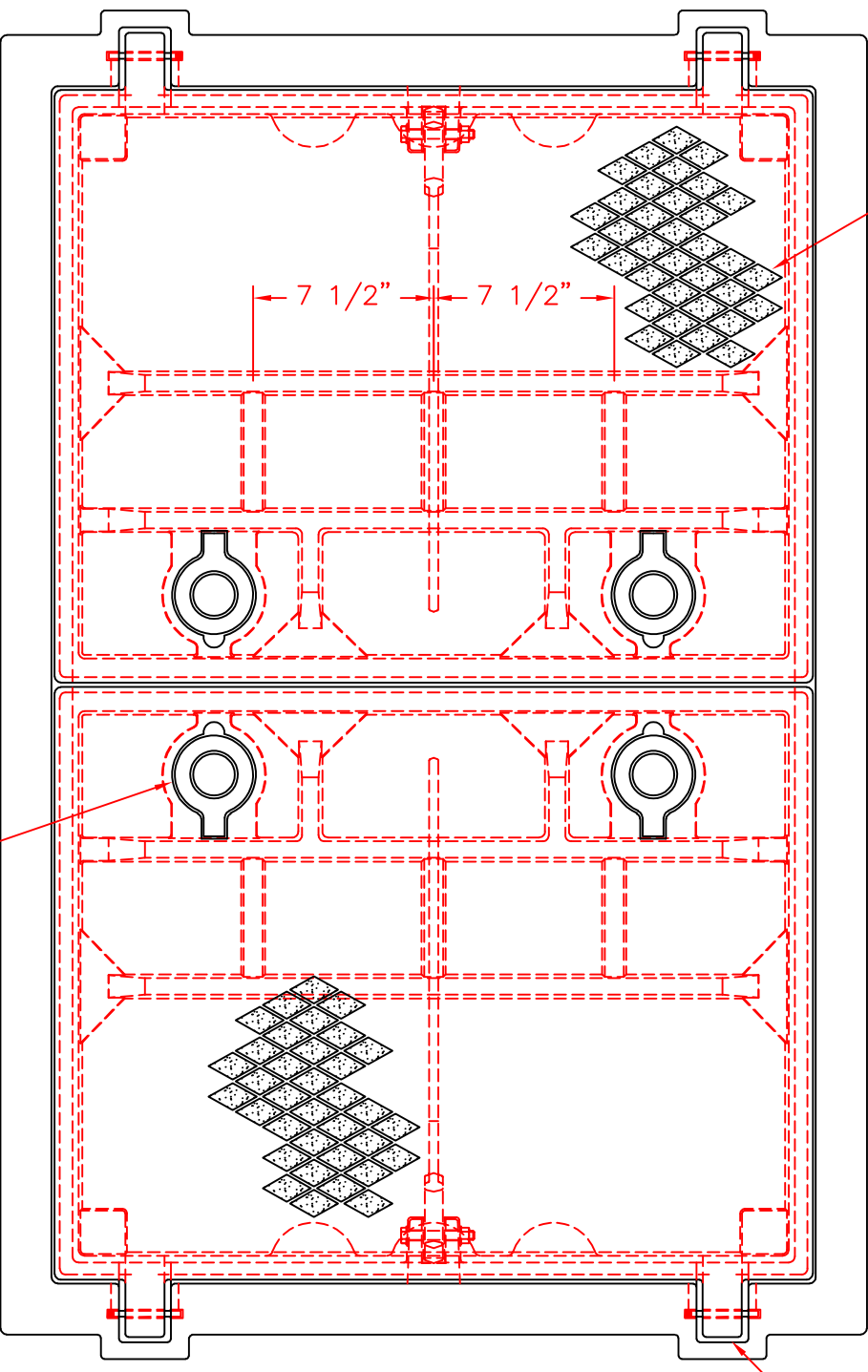
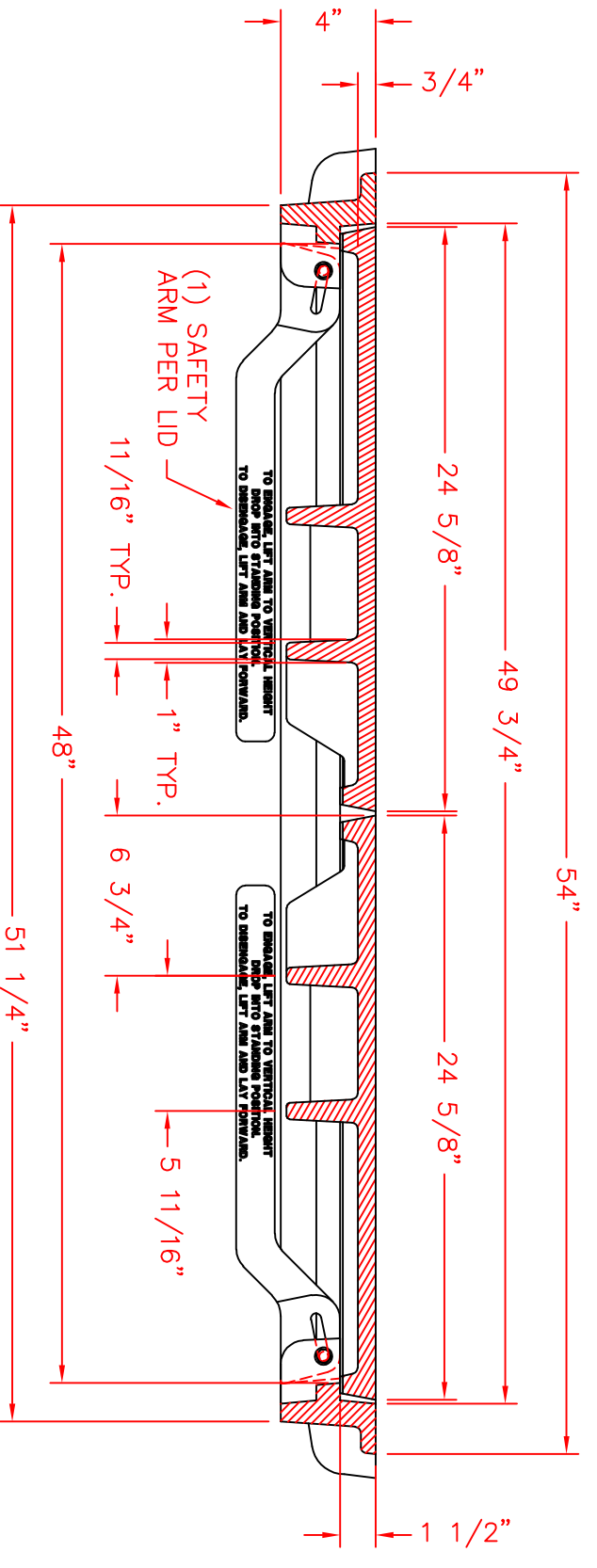
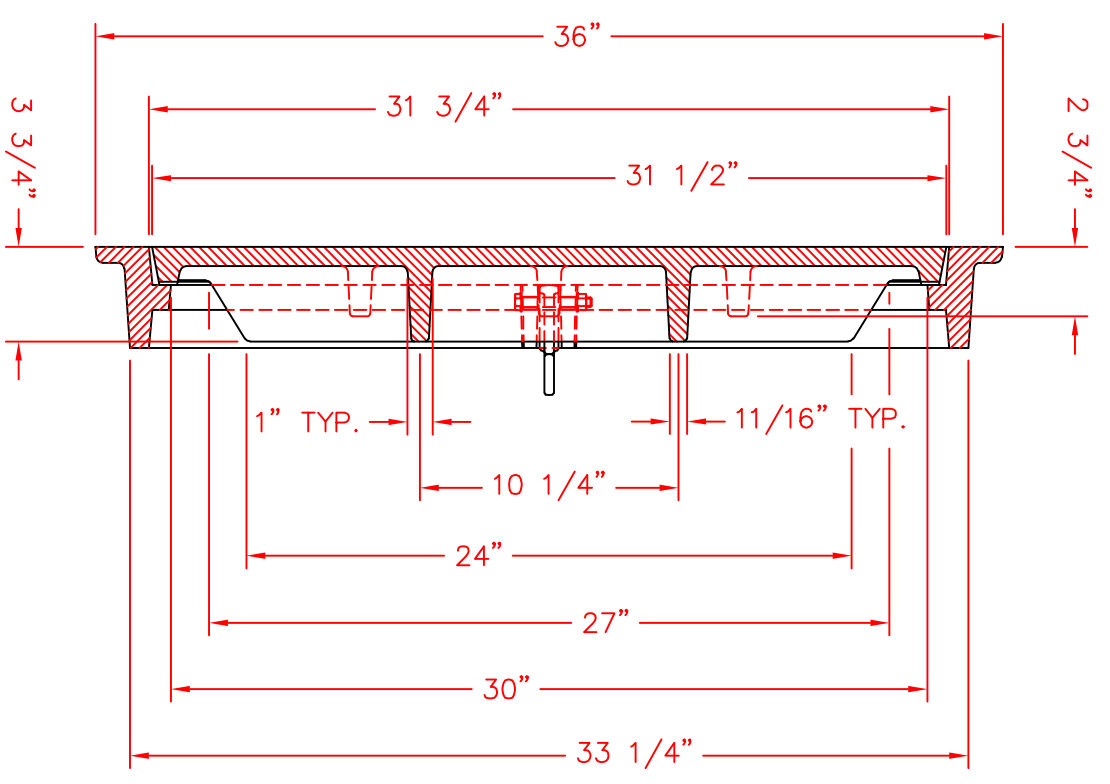


TYPE "C" LID DESIGN
W/PERMA-GRIP TEXTURE



(2) TYPE 'G' HANDLES PER LID

(2) TYPE 'T' HINGES PER LID



(1) SAFETY
ARM PER LID

TO ENSURE LIFT ARM TO VERTICAL HEIGHT
DROP INTO STANDING POSITION.
TO OPERATE, LIFT ARM AND LAY FORWARD.

TO ENSURE LIFT ARM TO VERTICAL HEIGHT
DROP INTO STANDING POSITION.
TO OPERATE, LIFT ARM AND LAY FORWARD.

COMPONENT NOS. FRAME 1878-0066, LID (2 PCS.) 1878-0067
MATERIAL: CAST GRAY IRON ASTM A-48, CLASS 35B
FINISH: NO PAINT
WEIGHT: FRAME 235#, LID 235# EACH
WAS NF 22455-A

DATE	REVISION
05-09-2002	REVISE LID PER PATTERN CHECK
06-13-2008	UPDATED THE SAFETY ARM, ADDED RIB DIMS

DR.	KMH	SCALE	TITLE:
CH.		1/8"=1"	R-6663-NH
APP.		DIM. CHK.	FRAME AND LIDS
DATE	03-17-99		
			NEENAH
			FOUNDRY COMPANY
			NEENAH WISCONSIN 54956
			INER
			NF-6663 890 B