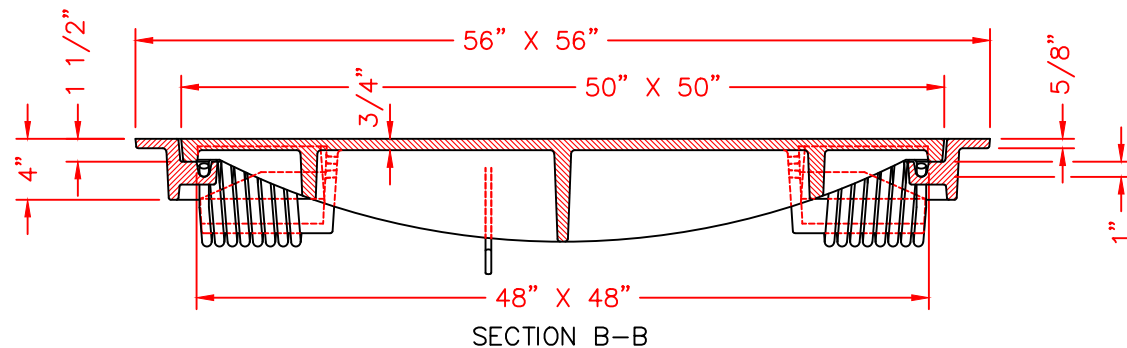
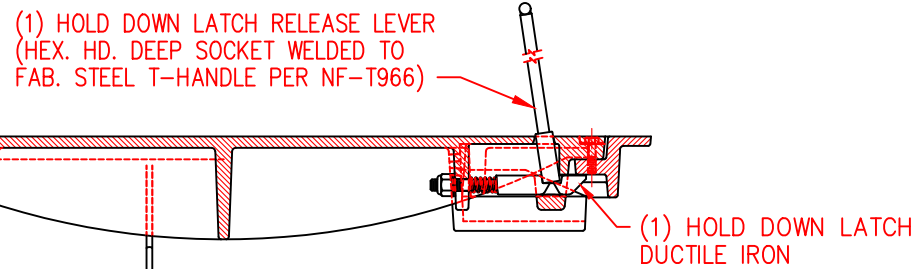
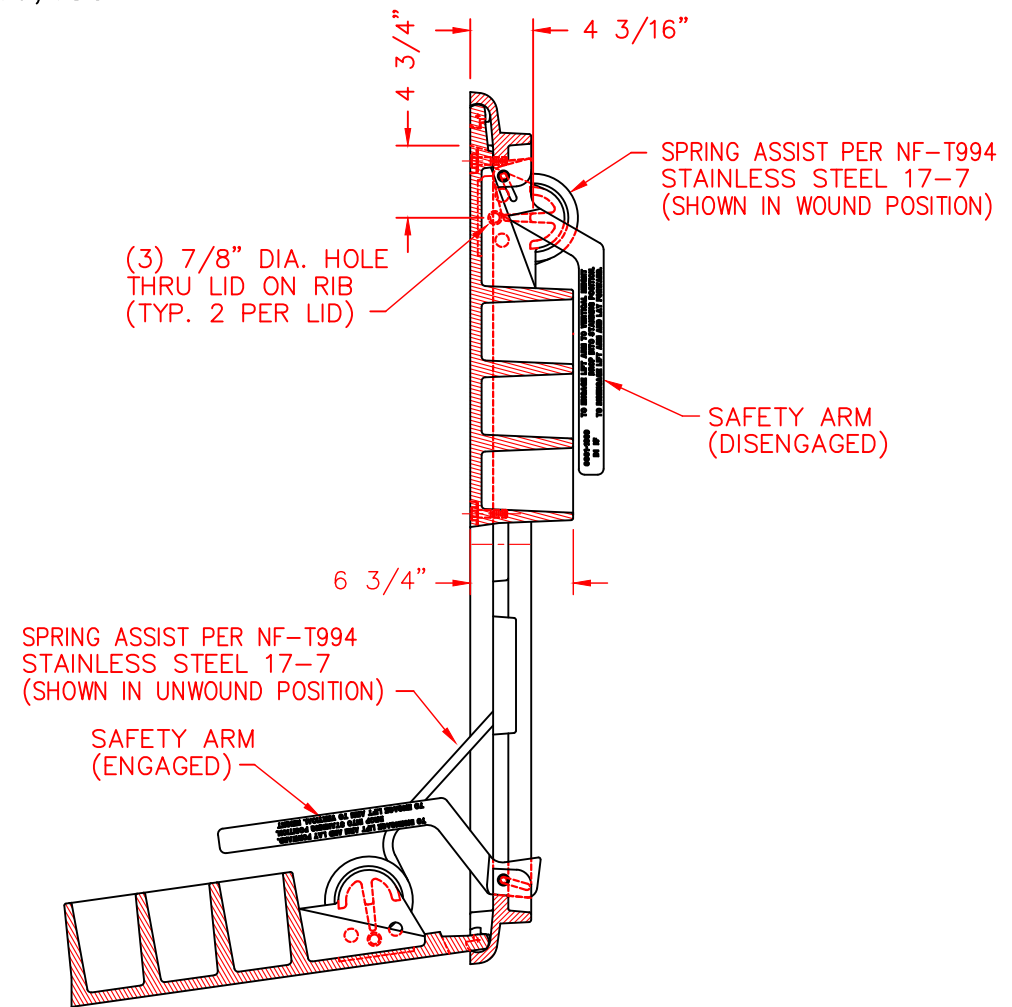
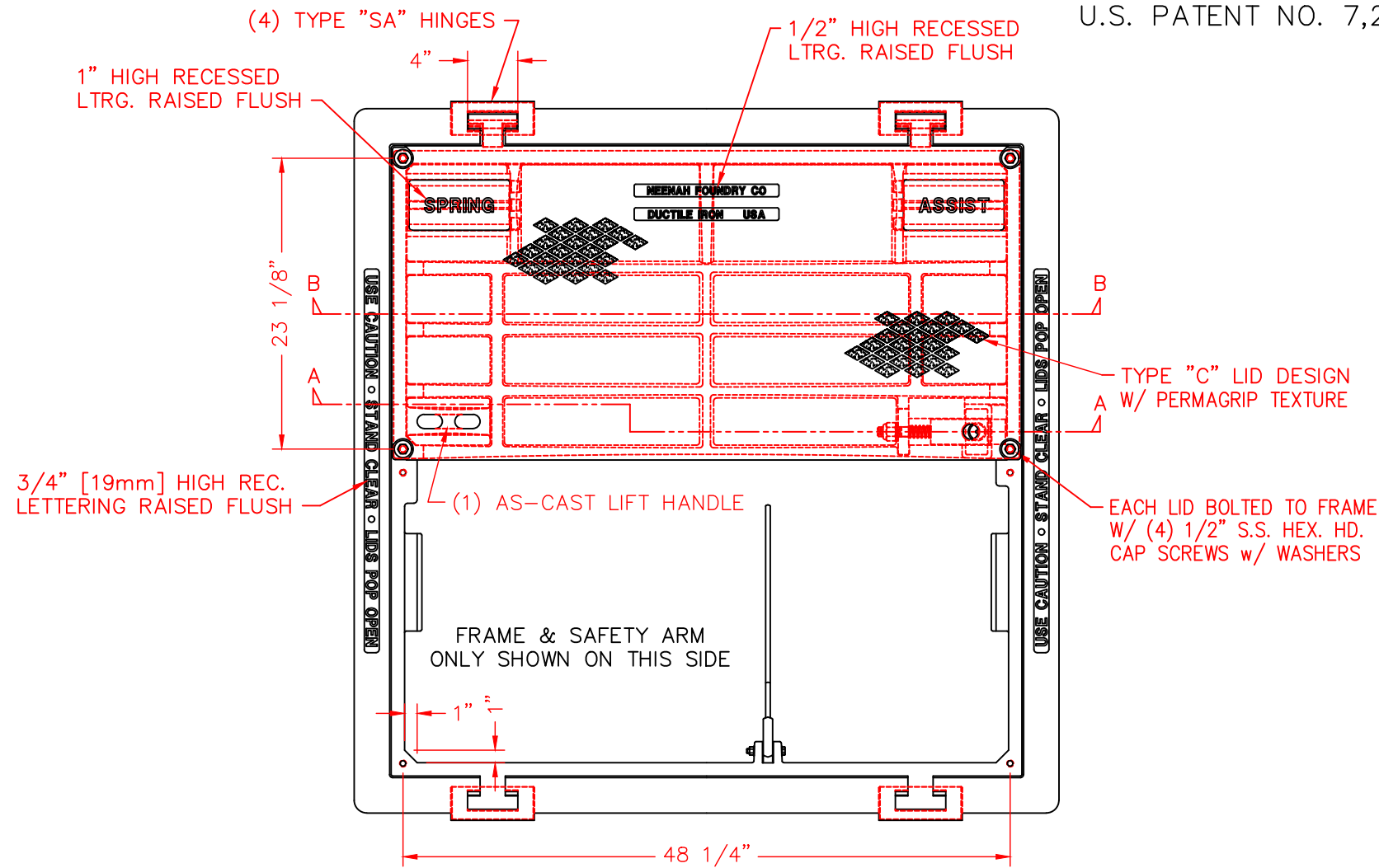


U.S. PATENT NO. 7,216,459



KITS INCLUDED IN THIS UNIT

- 2 X 81707 - SAFETY ARM
- 2 X 81990 - LATCH KIT
- 8 X 91570 - BOLTING KIT
- 2 X 81981 - SPRINGS KIT

NOTE: MEETS H2O LOADING REQUIREMENTS.
 COMPONENT NO'S: FRAME (1) 3498-2148, LIDS (2) 6662-0587
 MATERIAL: FRAME AND LIDS - CAST GRAY IRON ASTM A-48, CLASS 35B
 LATCH - CAST DUCTILE IRON ASTM A536, 55 + KSI.
 FINISH: NO PAINT
 WEIGHT: FRAME EST. 270#, LIDS 571# EA., SPRING ASSEMBLY APPROX. 34# PER LID

DR. E. NIVER	SCALE 1/8"=1"	TITLE: R-6662-TS FRAME AND GRAY IRON SOLID LIDS W/ SPRING ASSIST	
CH. RKB			
APP. SPT	NEENAH FOUNDRY		NF-6662 964 B
DATE 03-15-2017	NEENAH WISCONSIN 54956 PHONE 800-558-5075		
www.nfco.com	LINCOLN, NEBRASKA 68529 PHONE 800-234-7466		