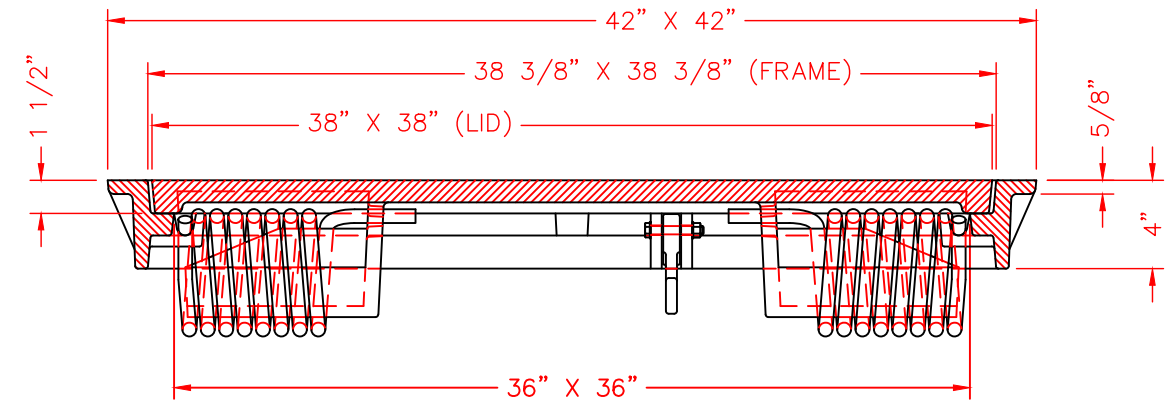
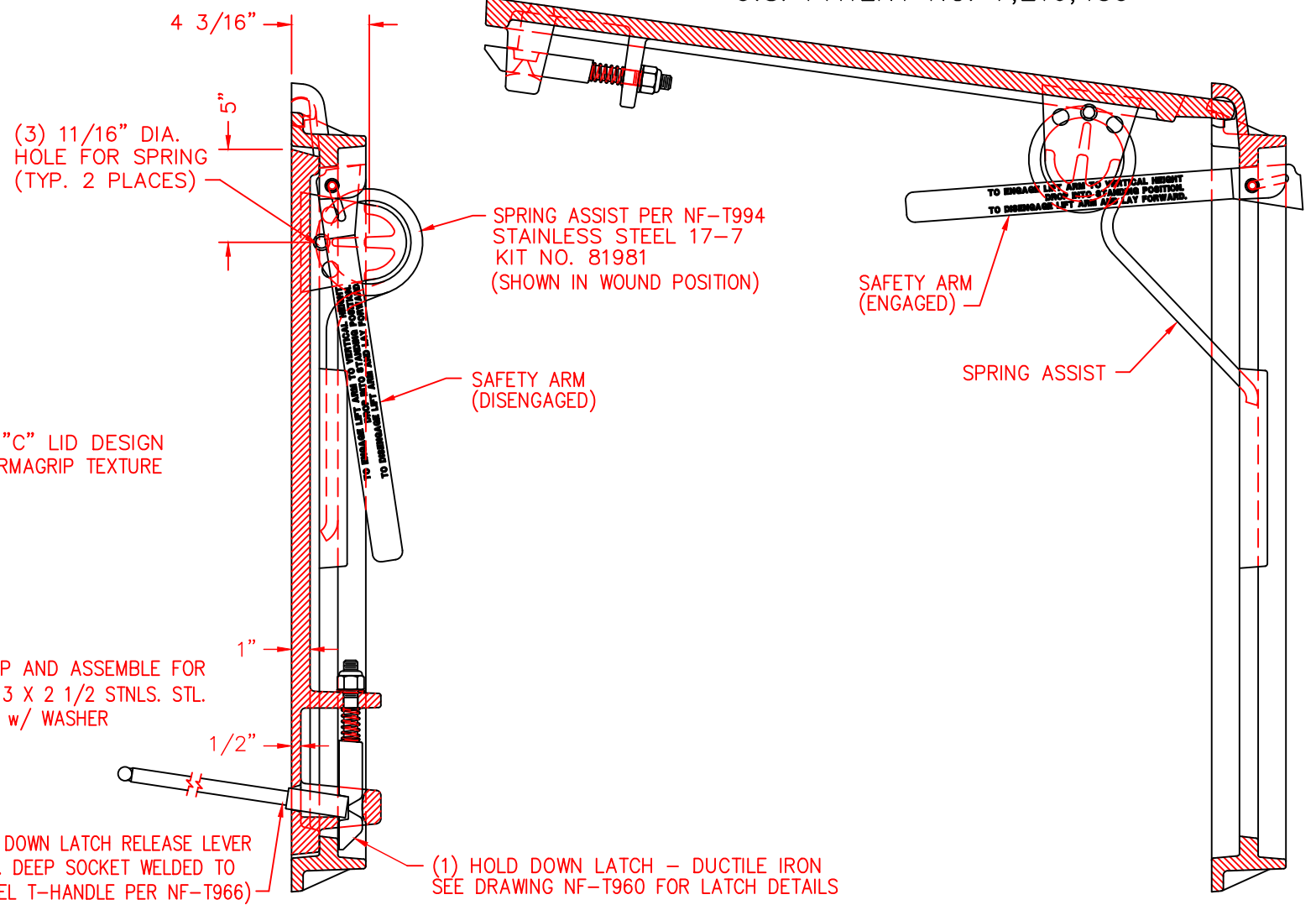
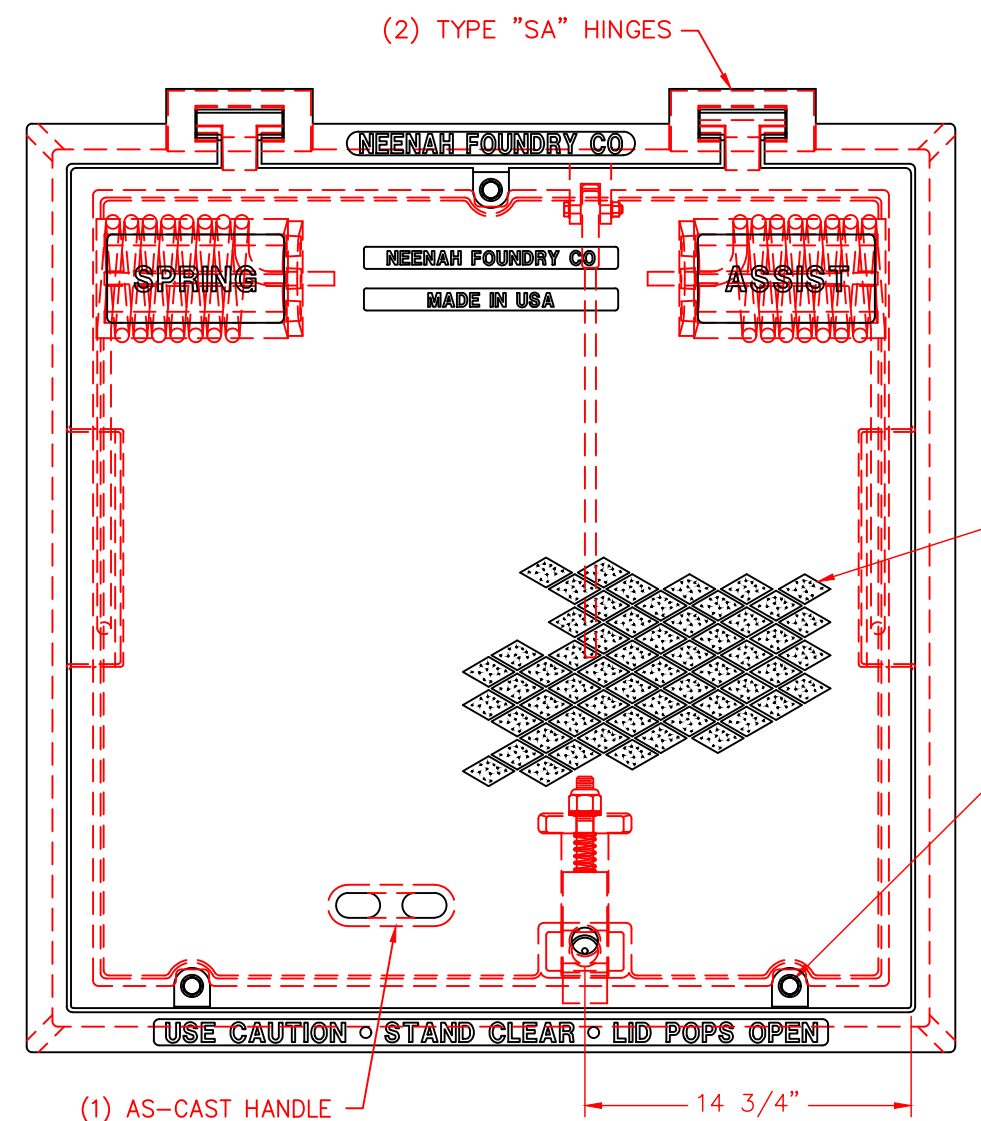


U.S. PATENT NO. 7,216,459



- KITS INCLUDED IN THIS UNIT**
- 1 X 81700 - SAFETY ARM
 - 1 X 81990 - LATCH KIT
 - 3 X 91570 - BOLTING KIT
 - 1 X 81981 - SPRINGS KIT

NOTE: MEETS H20 LOADING REQUIREMENTS.
 COMPONENT NO'S: FRAME 3498-2336, LID 6662-5336
 MATERIAL: FRAME AND LID - CAST GRAY IRON ASTM A-48, CLASS 35B
 FINISH: NO PAINT
 WEIGHT: FRAME 202#, LID 424#, SPRING ASSIST ASSEMBLY 28#

DR. E. NIVER	SCALE 1/8"=1"	TITLE: R-6662-RS FRAME AND PLATEN LID (H20) WITH SPRING ASSIST AND 'SA' HINGES
CH. RKB		
APP. SPT	NEENAH FOUNDRY  NEENAH WISCONSIN 54956 PHONE 800-558-5075 LINCOLN, NEBRASKA 68529 PHONE 800-234-7466	
DATE 11-10-2017		
www.nfco.com		NF-6662 850 B