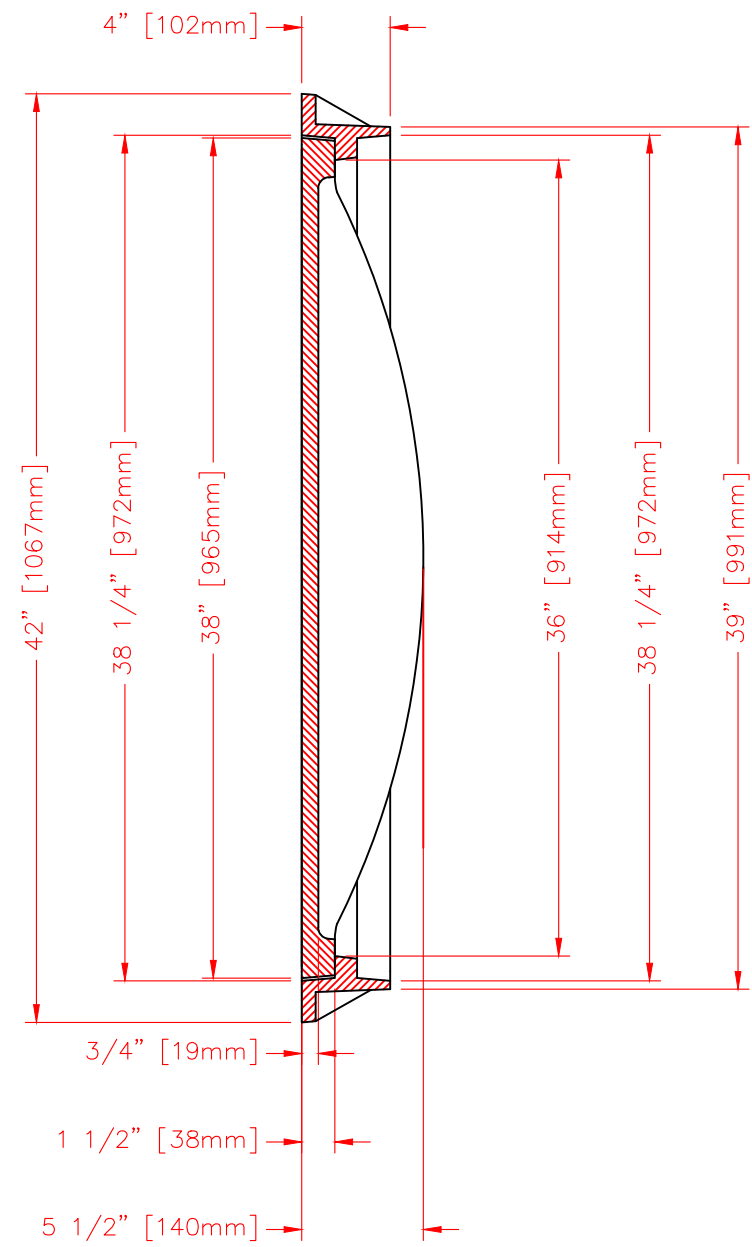
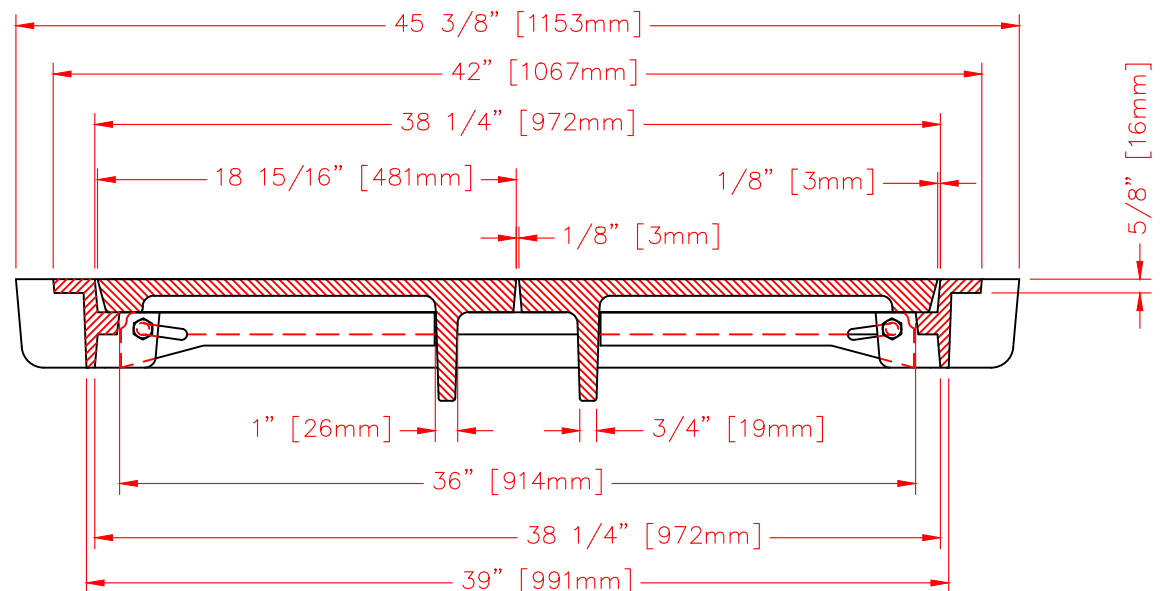
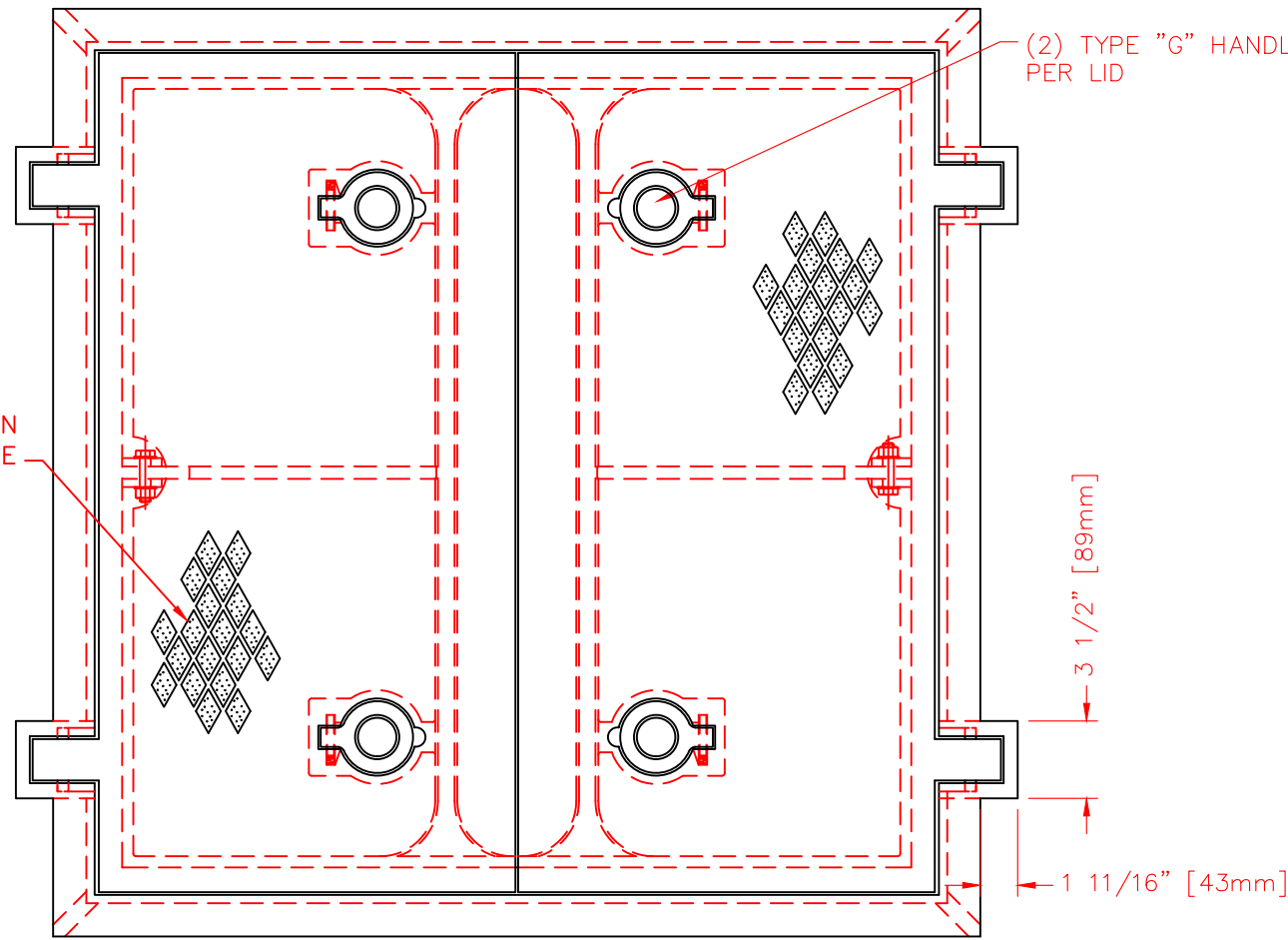


TYPE "C" LID DESIGN
w/ PERMAGRIP TEXTURE

(2) TYPE "G" HANDLES
PER LID



NOTE: ALL DIMENSIONS SHOWN ARE IN ENGLISH AND [METRIC].
 LOAD RATING: SUITABLE FOR H2O WHEEL LOADS
 COMPONENT NOS.: FRAME 1878-0391; LID (2) PCS. 1878-0392
 MATERIAL: CAST GRAY IRON ASTM A-48, CLASS 35B
 FINISH: NO PAINT
 WEIGHT: FRAME 235#; LID 194# WAS NF-43557

DR.	CSK	SCALE	TITLE:
CH.		1/8"=1"	R-6662-RH
APP.		DIM CHK.	FRAME AND 2 PC. LID
DATE	02-10-2004		NEENAH FOUNDRY COMPANY NEENAH WISCONSIN 54956
			NEF NF-6662 400 B

08-23-2012	ADDED LOADING NOTE	CAG
04-13-2011	UPDATE PER CATALOG	RKB
DATE	REVISION	INT