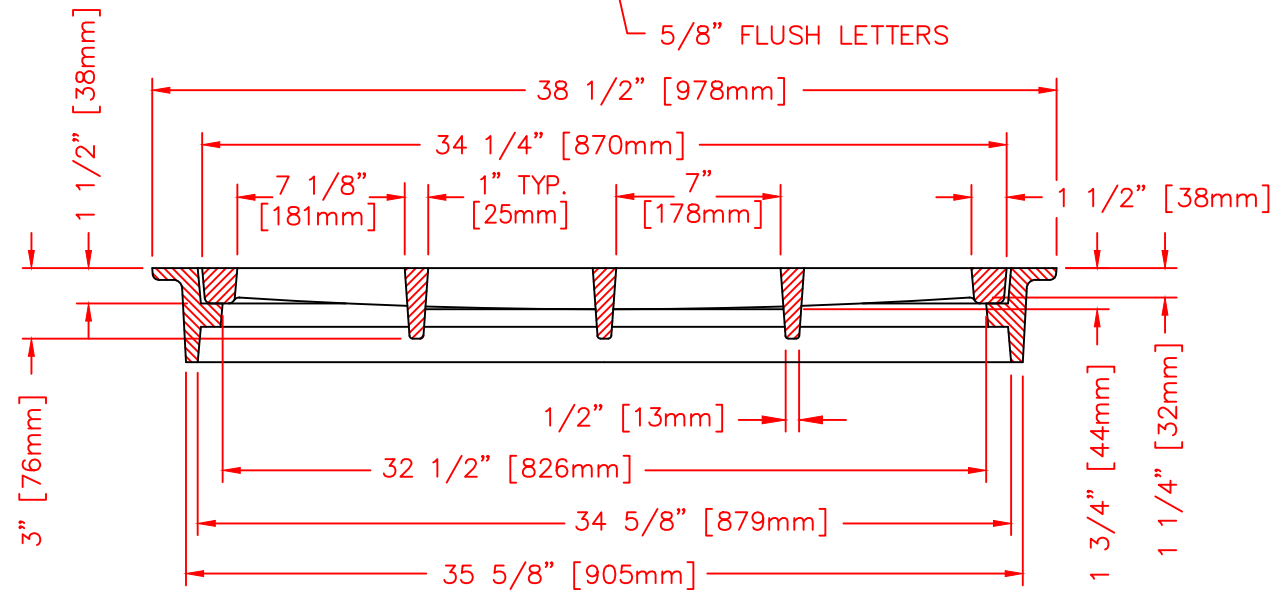


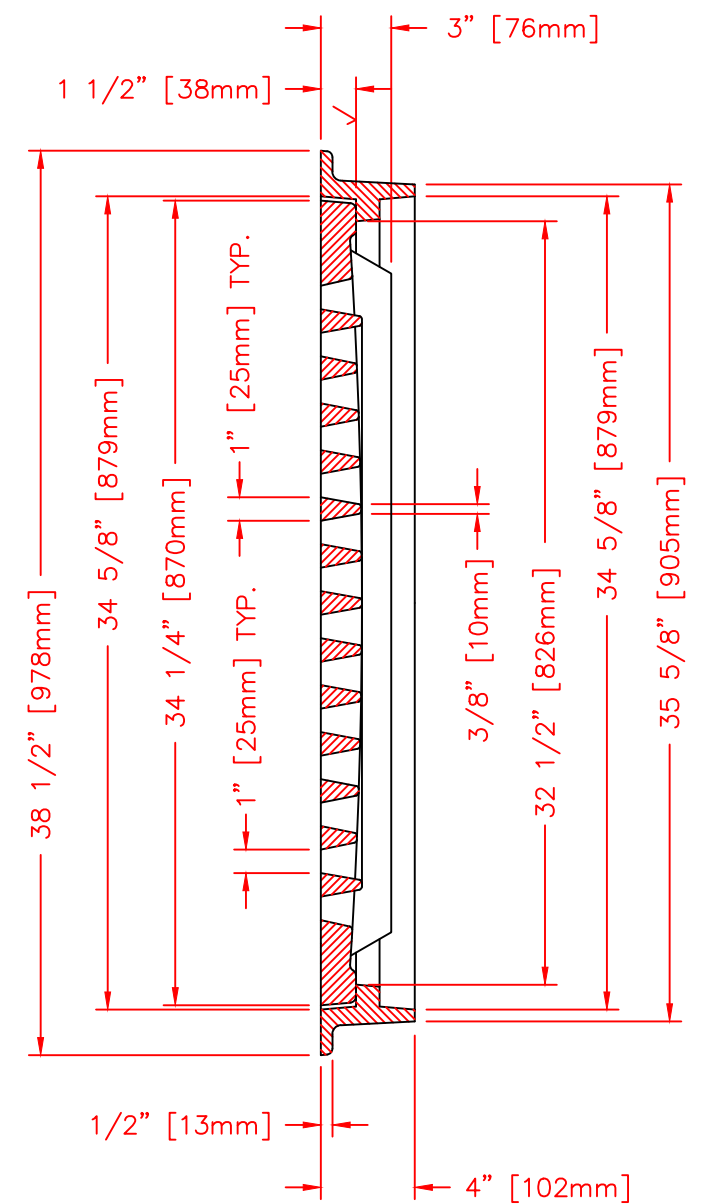
1 3/4" [44mm] DEEP RIB FOR STACKING

USA

NEENAH FOUNDRY



5/8" FLUSH LETTERS



NOTE: ALL DIMENSIONS SHOWN ARE IN ENGLISH AND [METRIC].
 COMPONENT NO'S: FRAME 5900-0013; GRATE 5901-3030
 MATERIAL: CAST GRAY IRON ASTM A-48, CLASS 35B
 FINISH: NO PAINT
 WEIGHT: FRAME 125#, GRATE 204#
 FOA: 4.2 SQ FT

DATE	REVISION	INT
6-27-2007	ADDED OPEN AREA	SMA
5-05-95	CHANGED GRATE COMPONENT NUMBER & WEIGHT	ELR
5-04-95	ADDED MACHINED SEAT AND DEEP RIBS	ELR

DR. CSK	SCALE 1/8"=1"	TITLE: R-5901-H FRAME AND GRATE	
CH.	DIM CHK.	NEENAH FOUNDRY COMPANY NEENAH WISCONSIN 54956	NF-5901 360 B
APP.			
DATE 6-30-94			