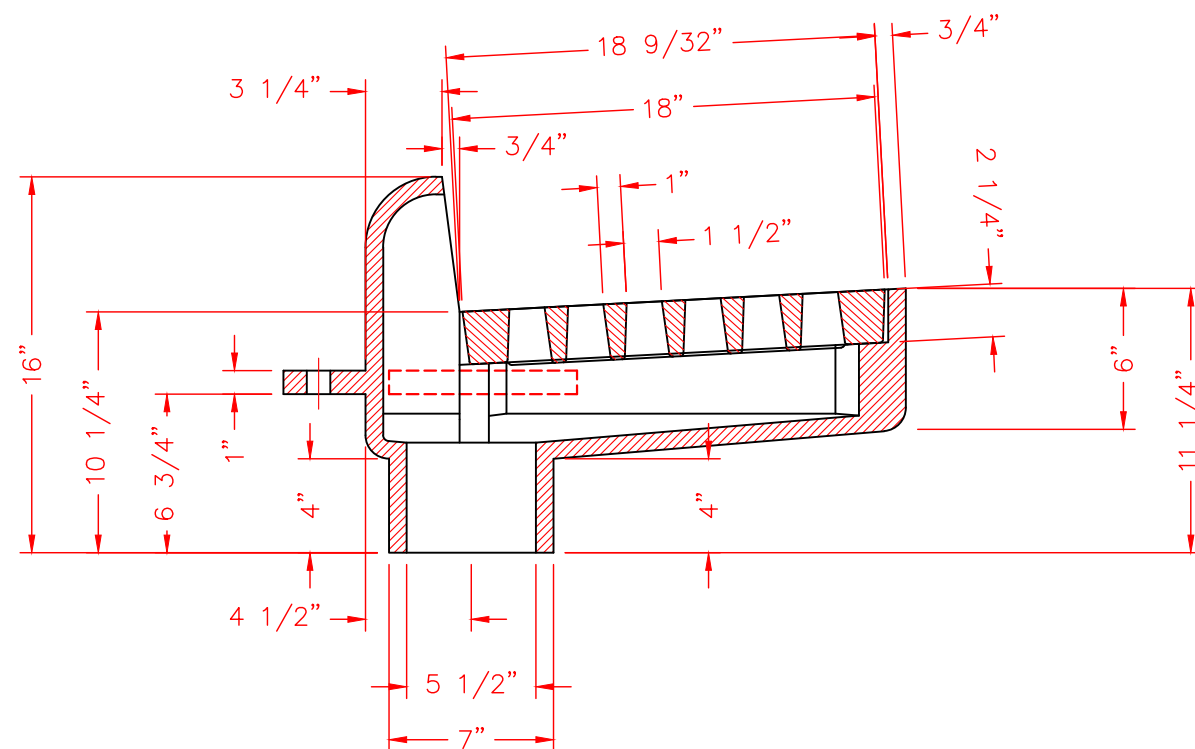
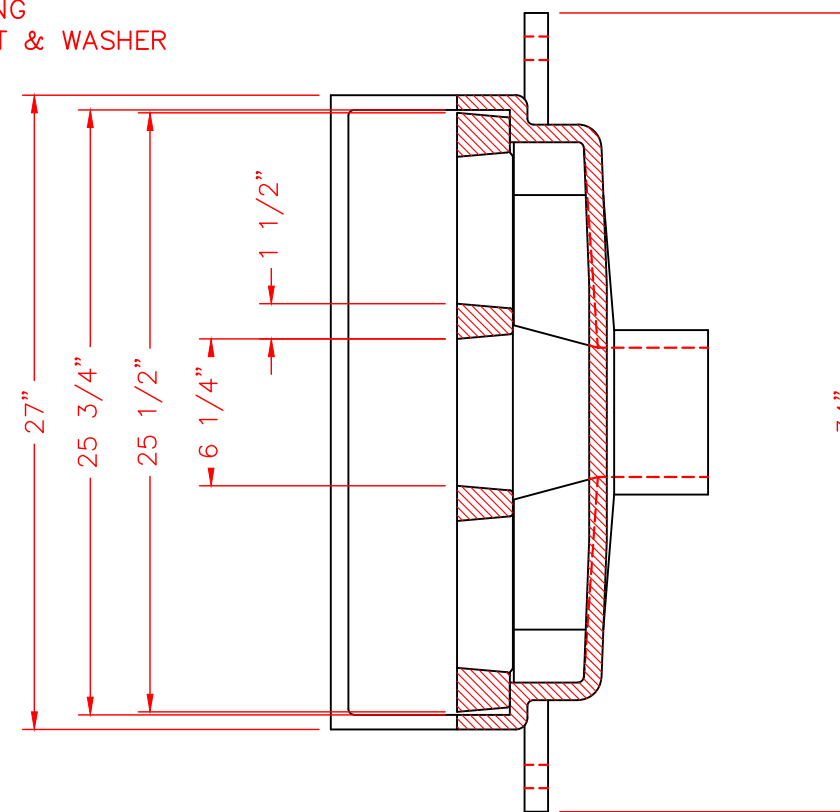


3X 1" ANCHOR HOLE  
 4X DRILL & TAP FOR  
 1/2-13NC X 2 1/2" LONG  
 STNLS. STL. HX HD BOLT & WASHER  
 KIT #91570



NOTE: ALL DIMENSIONS SHOWN ARE IN ENGLISH  
 COMPONENT NOS.: SCUPPER 3948-0005, GRATE 3948-0003  
 MATERIAL: CAST GRAY IRON ASTM A-48, CLASS 35B  
 FINISH: NO PAINT  
 WEIGHT: SCUPPER 380#, GRATE 151#

DR.	RKB	SCALE	TITLE:
CH.		1/8"=1"	R-3948-A SCUPPER
APP.		DIM CHK.	NEENAH FOUNDRY COMPANY NEENAH WISCONSIN 54956
DATE	06-17-2011		
			NF-3948 110 B