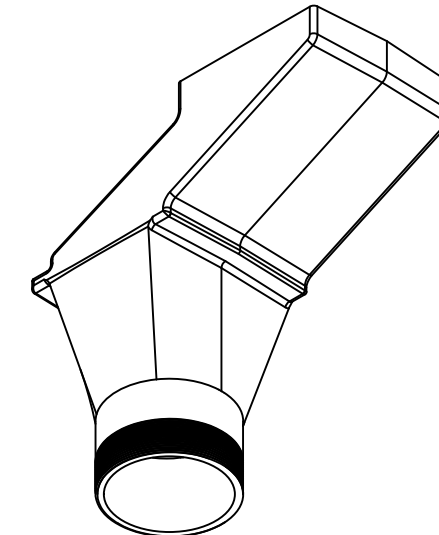
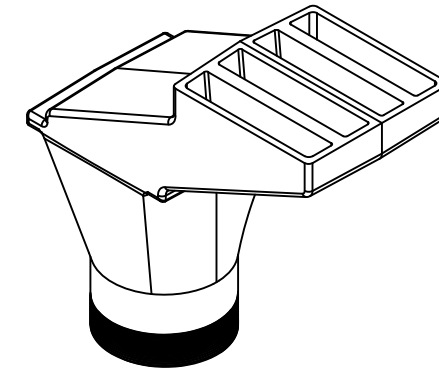
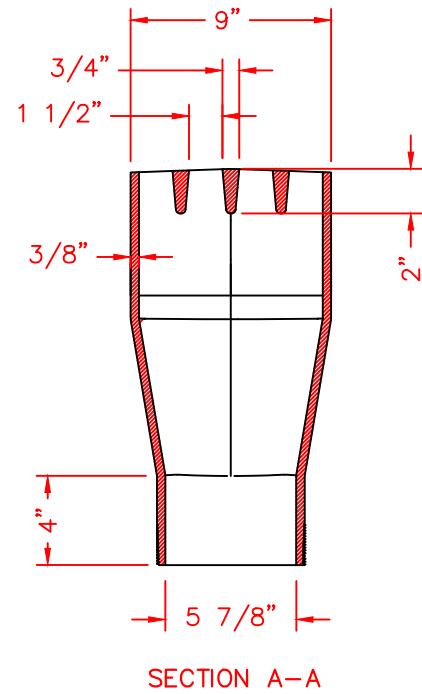
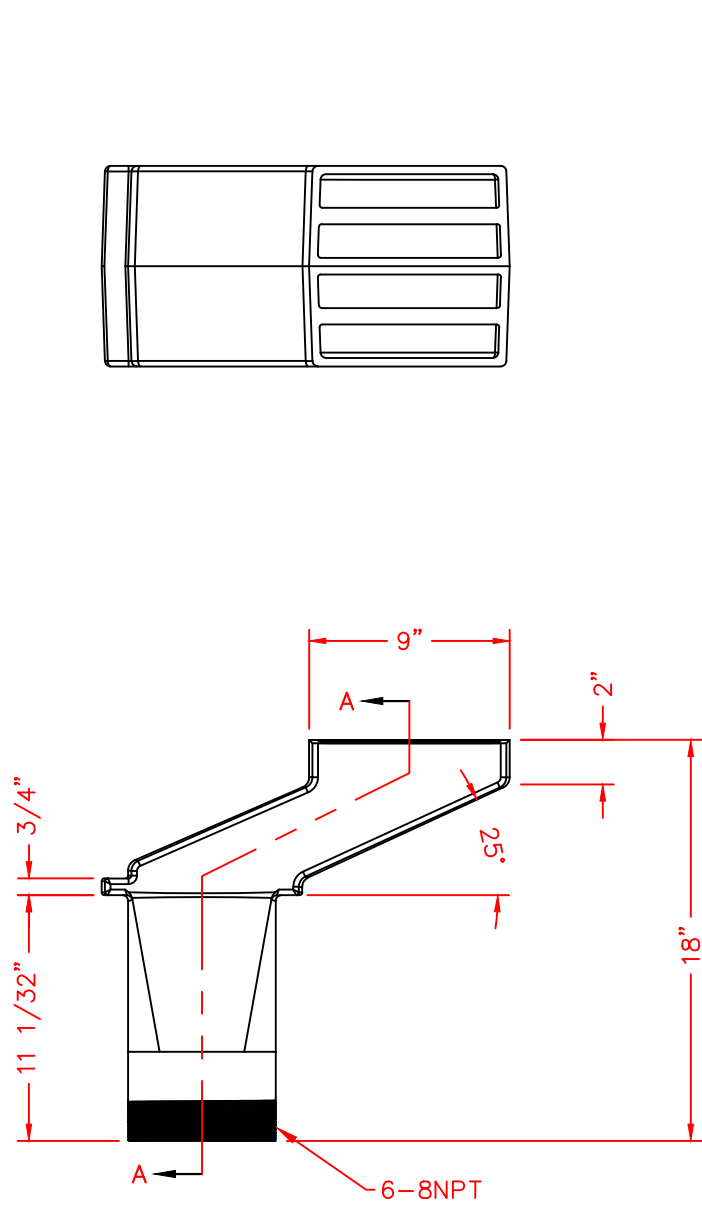



DRAWING CONTROL: CONTROLLED DRAWINGS ON NFCCO SERVER. ALL OTHER COPIES, ELECTRONIC OR PRINTED ARE FOR REFERENCE ONLY



- NOTES:
- ALL DIMENSIONS SHOWN ARE IN ENGLISH
 - LOAD RATING: H-20 / HS-20
 - MATERIAL: CAST GRAY IRON ASTM A-48, CLASS 35B
 - FINISH: NO PAINT
 - WEIGHT: ~88#

| | | |
|-----------------|---|--|
| DR. RKB | SCALE 1/8"=1" | TITLE: R-3930 OFFSET BRIDGE SCUPPER |
| CH. HSH | | |
| APP. JJF | NEENAH FOUNDRY | |
| DATE 09-17-2019 |  NEENAH WISCONSIN 54956 PHONE 800-558-5075 LINCOLN, NEBRASKA 68529 PHONE 800-234-7466 | |
| www.nfco.com | | NF-39300001 |

CAD DWG. REF: 39300001.DWG- 0

| REV | DATE | DESCRIPTION | DR | CH | APP |
|-----|------|-------------|----|----|-----|
| | | | | | |
| | | | | | |
| | | | | | |