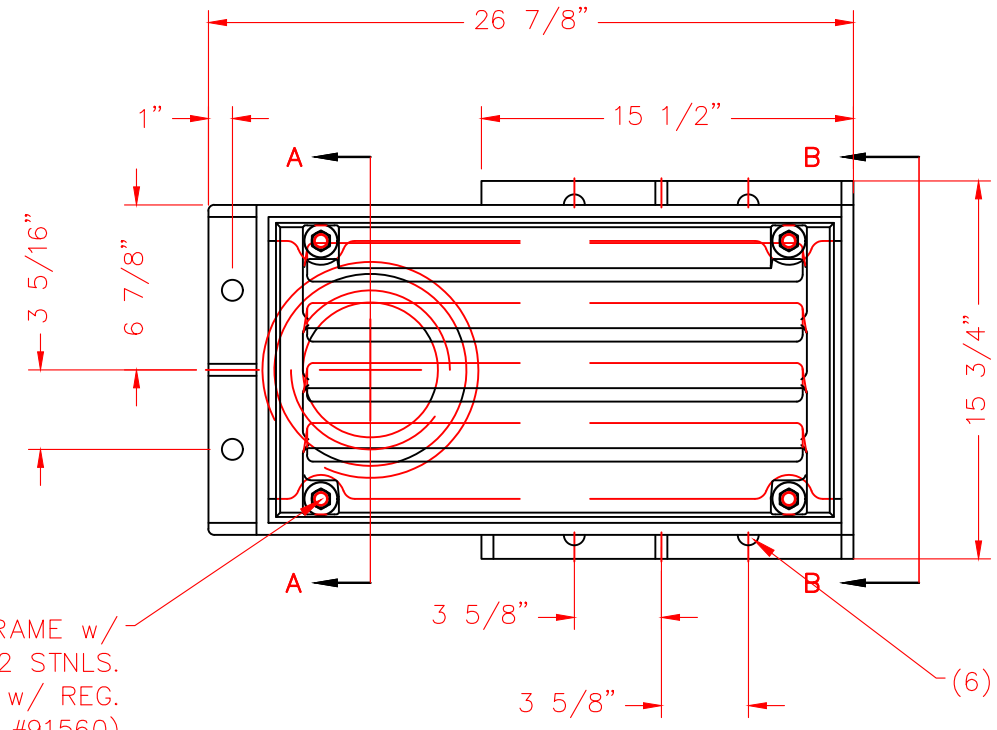
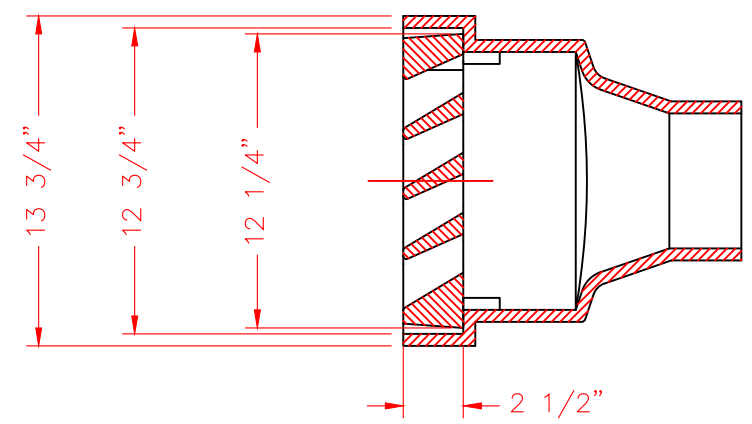


DRAWING CONTROL: CONTROLLED DRAWINGS ON NFCO SERVER. ALL OTHER COPIES, ELECTRONIC OR PRINTED ARE FOR REFERENCE ONLY

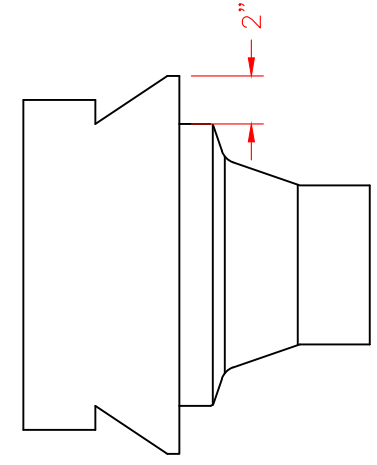


BOLT GRATE TO FRAME w/
1/2 - 13 X 2 1/2 STNLS.
STL. HEX BOLT w/ REG.
WASHER (4 KITS #91560)

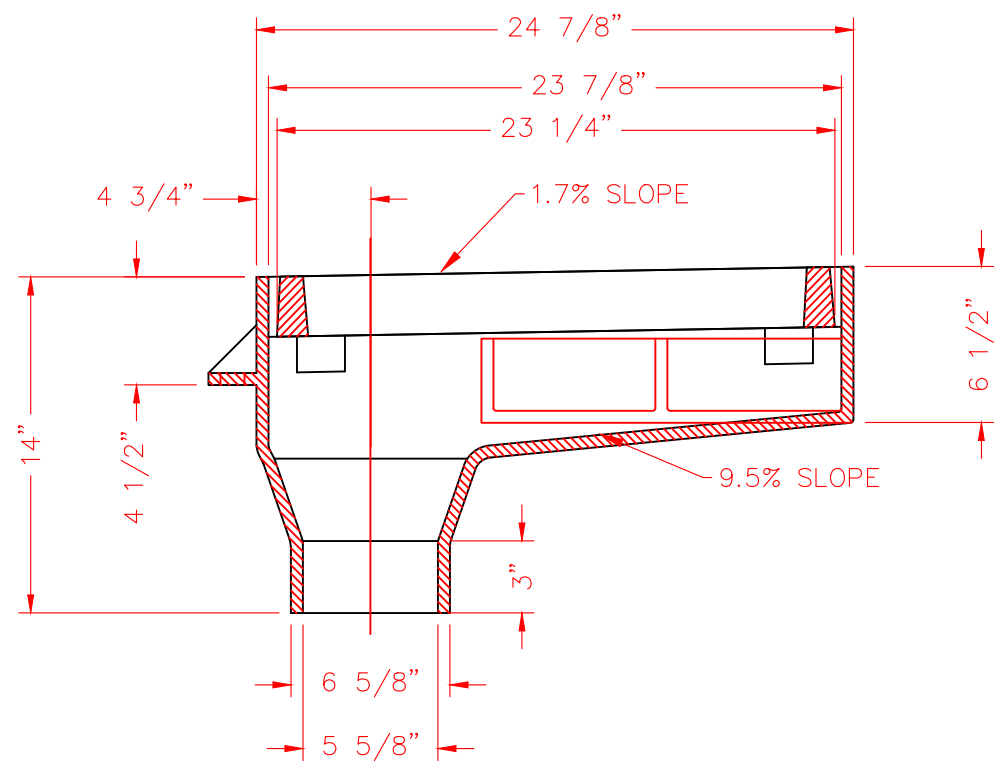
(6) 7/8" DIA. HOLES



SECTION A-A




SECTION B-B



NOTES:

- ALL DIMENSIONS SHOWN ARE IN ENGLISH
- LOAD RATING: H-20 / HS-20
- FREE OPEN AREA: 1.1 SQ. FT.
- COMPONENT NOS.: SCUPPER 3922-0001, GRATE 3922-0002
- MATERIAL: CAST GRAY IRON ASTM A-48, CLASS 35B
- FINISH: NO PAINT
- WEIGHT: SCUPPER ≈176#, GRATE ≈73#

| | | |
|-----------------|---|--|
| DR. E. NIVER | SCALE 1/8"=1" | TITLE: R-3922 SCUPPER AND TYPE 'V' GRATE |
| CH. | | |
| APP. | NEENAH FOUNDRY | |
| DATE 09-30-2010 |  NEENAH WISCONSIN 54956 PHONE 800-558-5075 LINCOLN, NEBRASKA 68529 PHONE 800-234-7466 | NF-3922400 |
| www.nfco.com | | |

| REV | DATE | DESCRIPTION | DR | CH | APP |
|------------|------|-------------------|-----|-----|-----|
| 02-25-2021 | | ADDED LOAD RATING | HSH | RKB | JLF |