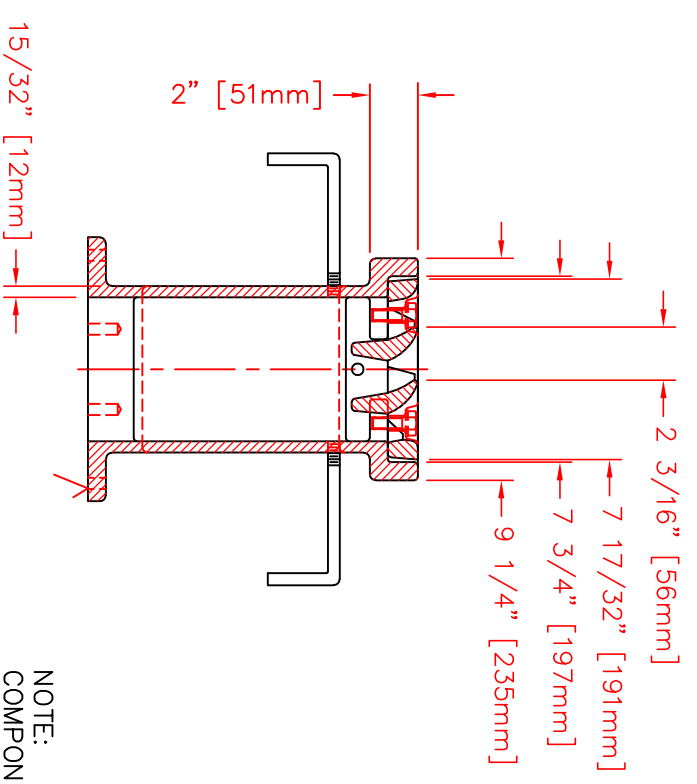
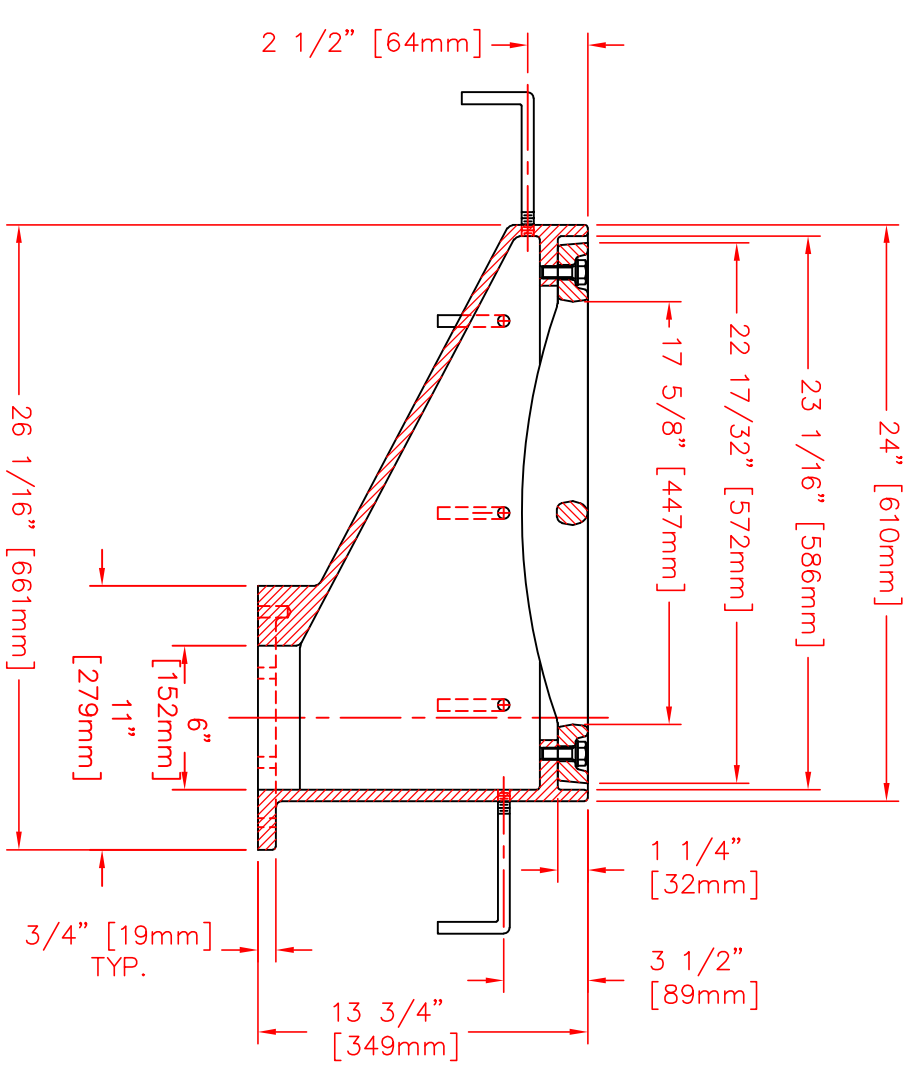


BOTTOM VIEW OF FLANGE ONLY

ANCHOR BOLT DETAIL  
(SCALE: 1=4)



NOTE: ALL DIMENSIONS SHOWN ARE IN ENGLISH AND [METRIC]  
 COMPONENT NOS.: FRAME 3921-0014, GRATE 3921-0013  
 MATERIAL: CAST GRAY IRON ASTM A-48, CLASS 35B  
 FINISH: NO PAINT  
 WEIGHT: FRAME 120#, GRATE 32#

DR.	KMH	SCALE	TITLE:	R-3921-V1
CH.		1/8"=1"	NEENAH FOUNDRY COMPANY NEENAH WISCONSIN 54956	SCUPPER AND GRATE
APP.		DIM CHK.	NEENAH FOUNDRY COMPANY NEENAH WISCONSIN 54956	NF- 3921 105 B
DATE	01-02-2002			
REVISION				
DATE	12-18-2014	CORRECTED THE DRILLED HOLE SIZE PER IDOT		
DATE				