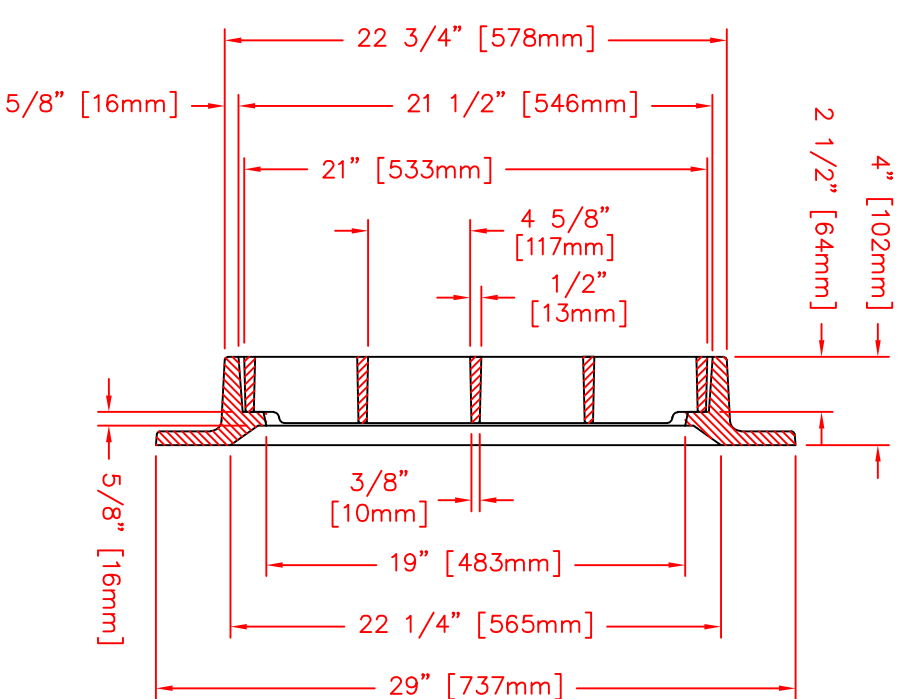
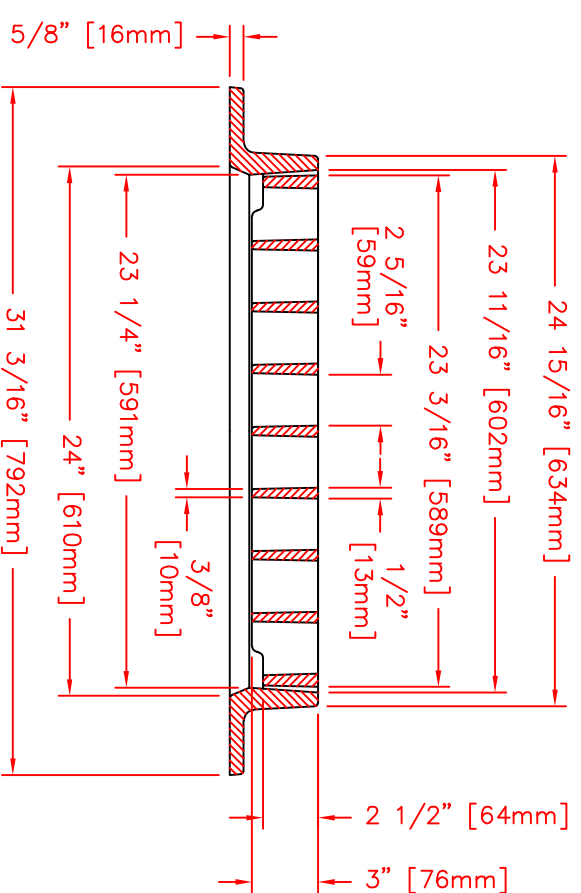
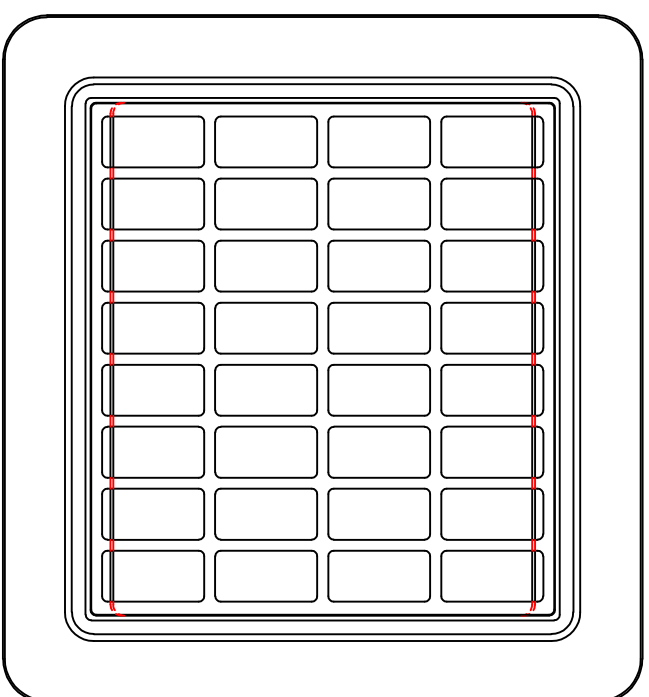


# 3570 500-1

# B8



NOTE: ALL DIMENSIONS ARE SHOWN IN ENGLISH AND [METRIC].  
 COMPONENT NO'S: FRAME 3570-0003, GRATE 3570-0002  
 MATERIAL: CAST GRAY IRON ASTM A-48, CLASS 35B  
 FINISH: NO PAINT  
 WEIGHT: FRAME 139#, GRATE 104#

DR.	E. NIVER	SCALE	1/8"=1"	TITLE:	R-3570-A
CH.					FRAME AND GRATE
APP.		DIM CHK.		NEENAH FOUNDRY COMPANY NEENAH WISCONSIN 54956	NF-3570 500 B
DATE	03-26-2010				