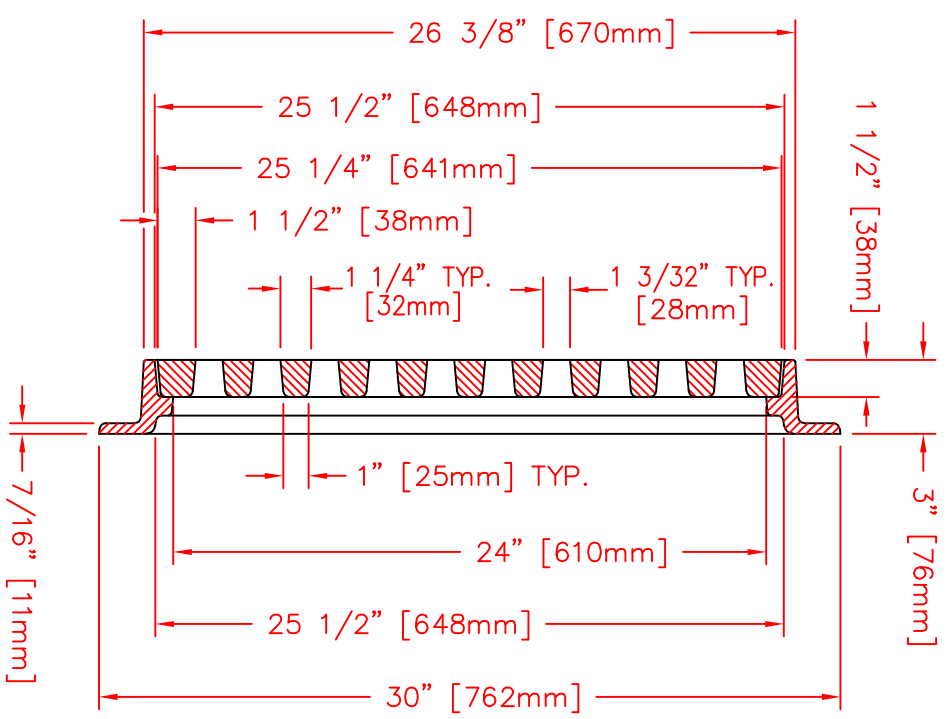
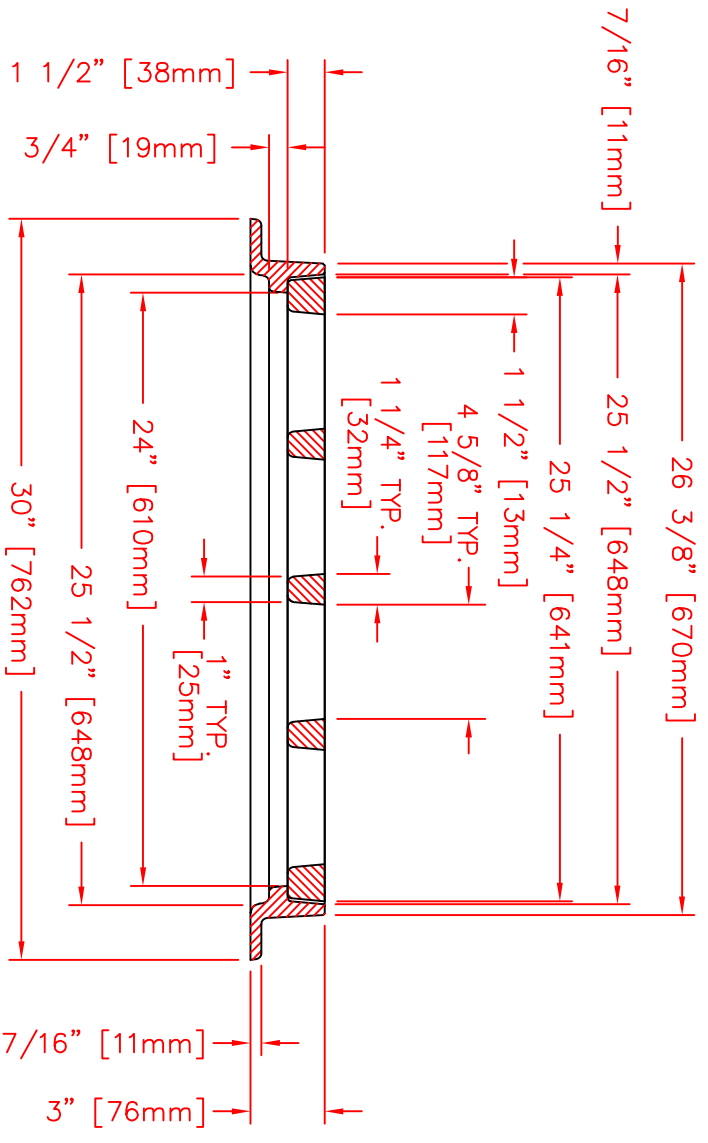


1/2" [13mm] RAISED LETTERS
FLUSH w/ TOP OF GRATE



NOTE: ALL DIMENSIONS ARE SHOWN IN ENGLISH AND [METRIC].
CASTINGS ARE HEAVY DUTY H2O WHEEL LOAD
MEETS AASHTO M306 40,000 LB. PROOF LOAD
COMPONENT NO'S: FRAME 3560-2000; GRATE 3560-3000
MATERIAL: CAST GRAY IRON ASTM A-48, CLASS 35B
FINISH: NOT PAINTED
WEIGHT: FRAME - 79#, GRATE - 136#

DR.	CSK	SCALE	TITLE:	R-3560
CH.		1/8"=1"	NEENAH FOUNDRY COMPANY NEENAH WISCONSIN 54956	FRAME AND GRATE
APP.		DIM CHK.		
DATE	3-01-95			
DATE	02-13-97	UPDATE LOAD NOTES		
DATE	06-01-95	ADD H2O LOADING NOTE, MATERIAL NOTE		
DATE		REVISION		