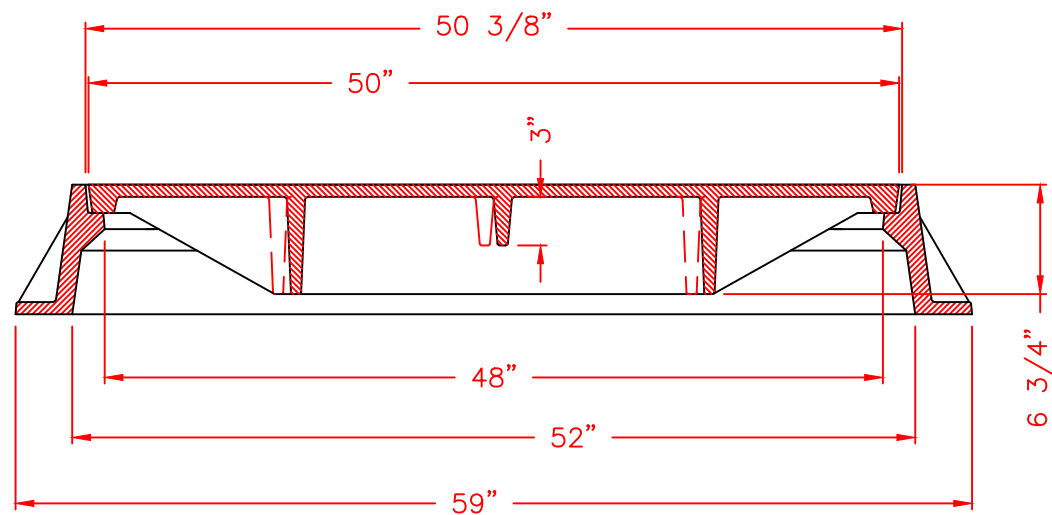
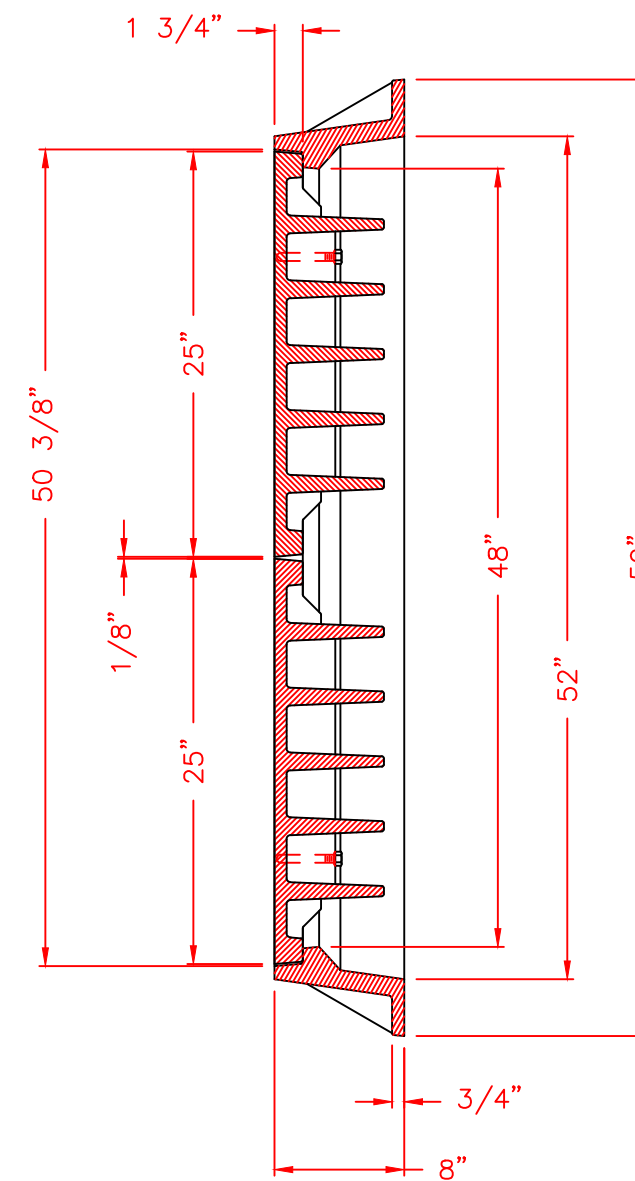


TYPE "C" LID DESIGN  
w/ PERMAGRIP TEXTURE

(2) TYPE "C" HANDLES  
PER LID

2" RAD. TYP.

LID BOLTED TO FRAME w/  
1/2-13 X 2 1/2 STNL. STL.  
HX HEAD CAP SCREWS  
(2 PER LID, KIT #91558)



NOTE: ALL DIMENSIONS SHOWN ARE IN ENGLISH AND [METRIC]  
 COMPONENT NO'S: FRAME 1860-0002; LID (2) PCS. 3499-0001  
 MATERIAL: FRAME - CAST GRAY IRON ASTM A-48, CLASS 35B  
 LIDS - CAST DUCTILE IRON ASTM A536, 55 + KSI YIELD  
 FINISH: NO PAINT  
 WEIGHT: FRAME 721#, LID 610# EACH

		DR.	CSK	SCALE	TITLE:	R-3499
		CH.		1'=1'-0"	FRAME AND LID, BOLTED	
		APP.		DIM CHK.	NEENAH	
05-12-2003	ADD DUCTILE IRON LTG.	CSK			FOUNDRY COMPANY	NF-3499 080 B
10-11-2000	REMOVED NOTCHES ON RIBS	SMA	DATE	3-01-2000	NEENAH WISCONSIN 54956	
	REVISION	INT				