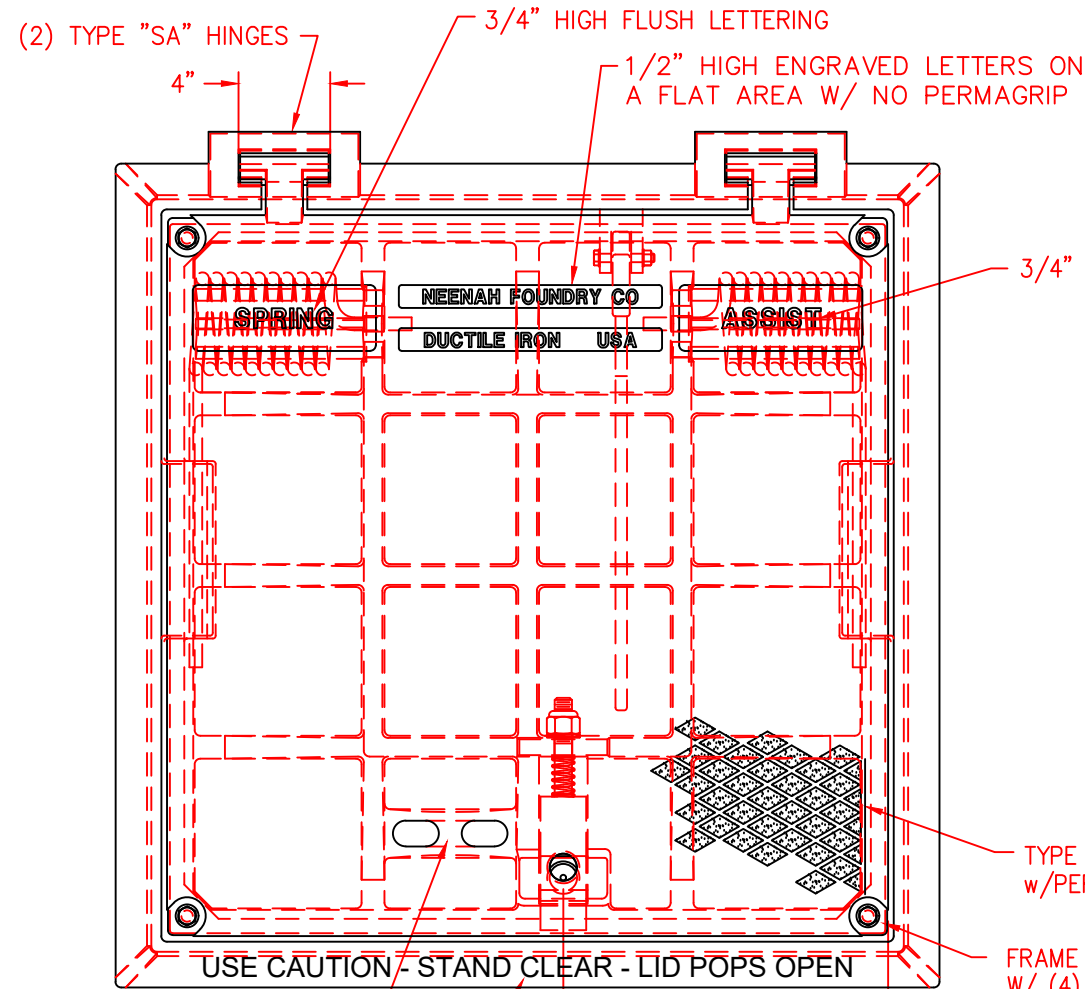


U.S. PATENT NO. 7,216,459



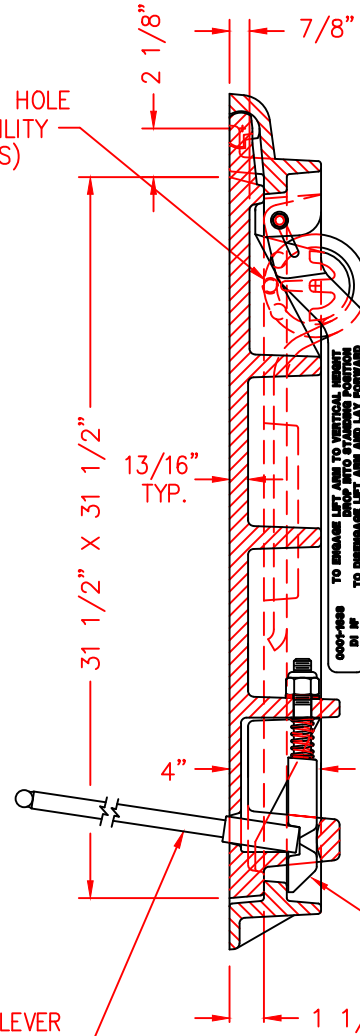
(3) 11/16" DIA. HOLE FOR ADJUSTABILITY (TYP. 2 PLACES)

3/4" HIGH FLUSH LETTERING

TYPE "C" LID DESIGN w/PERMAGRIP TEXTURE

FRAME AND LID BOLTED W/ (4) 1/2" S.S. HEX. HD. CAP SCREWS w/ WASHERS

(1) HOLD DOWN LATCH RELEASE LEVER (HEX. HD. DEEP SOCKET WELDED TO FAB. STEEL T-HANDLE PER NF-T966)

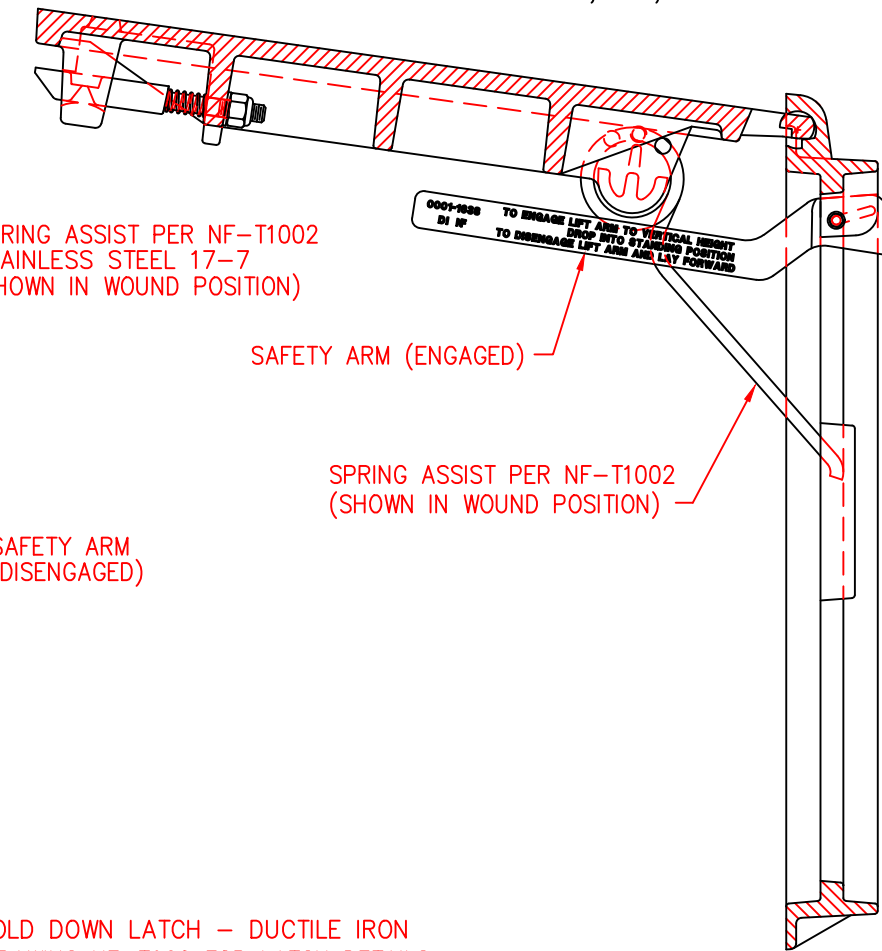


SPRING ASSIST PER NF-T1002 STAINLESS STEEL 17-7 (SHOWN IN WOUND POSITION)

SAFETY ARM (ENGAGED)

SPRING ASSIST PER NF-T1002 (SHOWN IN WOUND POSITION)

SAFETY ARM (DISENGAGED)



KITS INCLUDED IN THIS UNIT

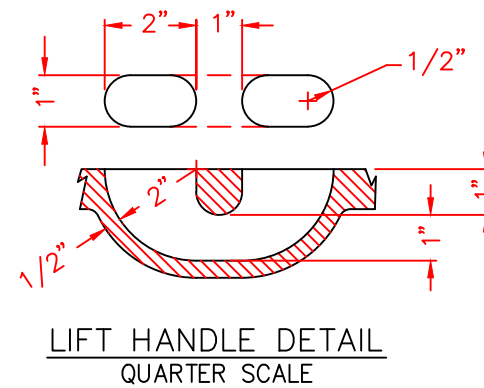
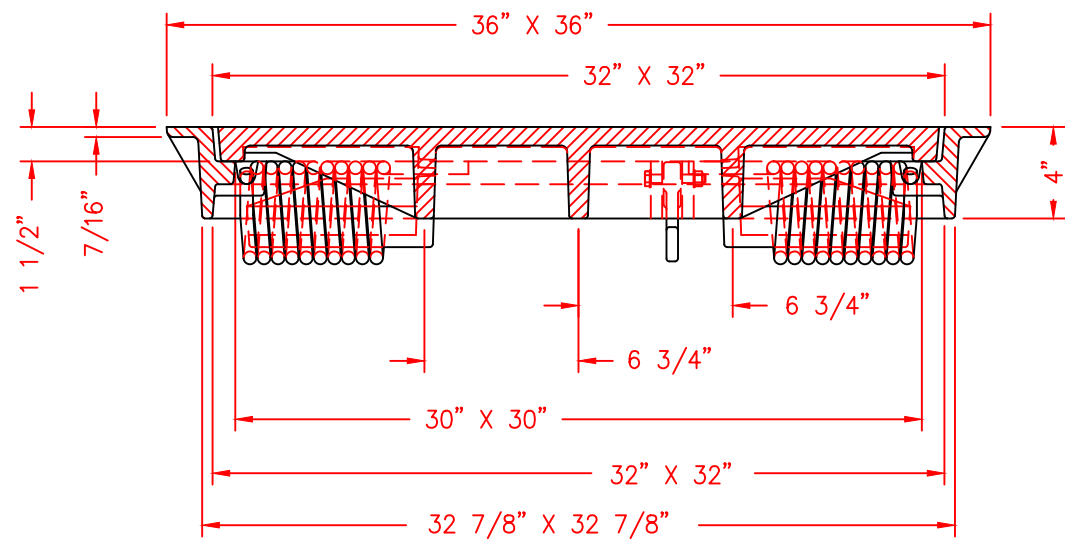
- 1 X 81706 - SAFETY ARM
- 1 X 81990 - LATCH KIT
- 4 X 91570 - BOLTING KIT
- 1 X 81985 - SPRINGS KIT

NOTE: - CONFORMS TO MINIMUM 100,000-POUND LOADS PER FAA ADVISORY CIRCULAR AC 150/5320-6D APPENDIX 3 ITEM 2.D.(1). (ACTUAL PROOF LOAD IS 200,000-POUND ON A 9" X 9" CONTACT AREA.)

MEETS FASTENING REQUIREMENT PER FAA ADVISORY CIRCULAR AC 150/5370-10A COMPONENT NO'S: FRAME 3498-2230, LID 3498-0514

MATERIAL: FRAME - CAST GRAY IRON ASTM A-48, CLASS 35B LID - CAST DUCTILE IRON ASTM A536, 55 + KSI.

FINISH: NO PAINT PER FAA ADVISORY CIRCULAR AC 150/5370-10A WEIGHT: FRAME 146#, LID 358#, SPRING ASSIST ASSEMBLY 35#



DR. E. NIVER	SCALE 1/8"=1"	TITLE: R-3498-P2S BOLTED FRAME AND D.I. LID WITH SPRING ASSIST AND 'SA' HINGES
CH. RKB		
APP. SPT		
DATE 02-17-2017		
www.nfco.com	NEENAH FOUNDRY NEENAH WISCONSIN 54956 PHONE 800-558-5075 LINCOLN, NEBRASKA 68529 PHONE 800-234-7466	NF-3498 520 B