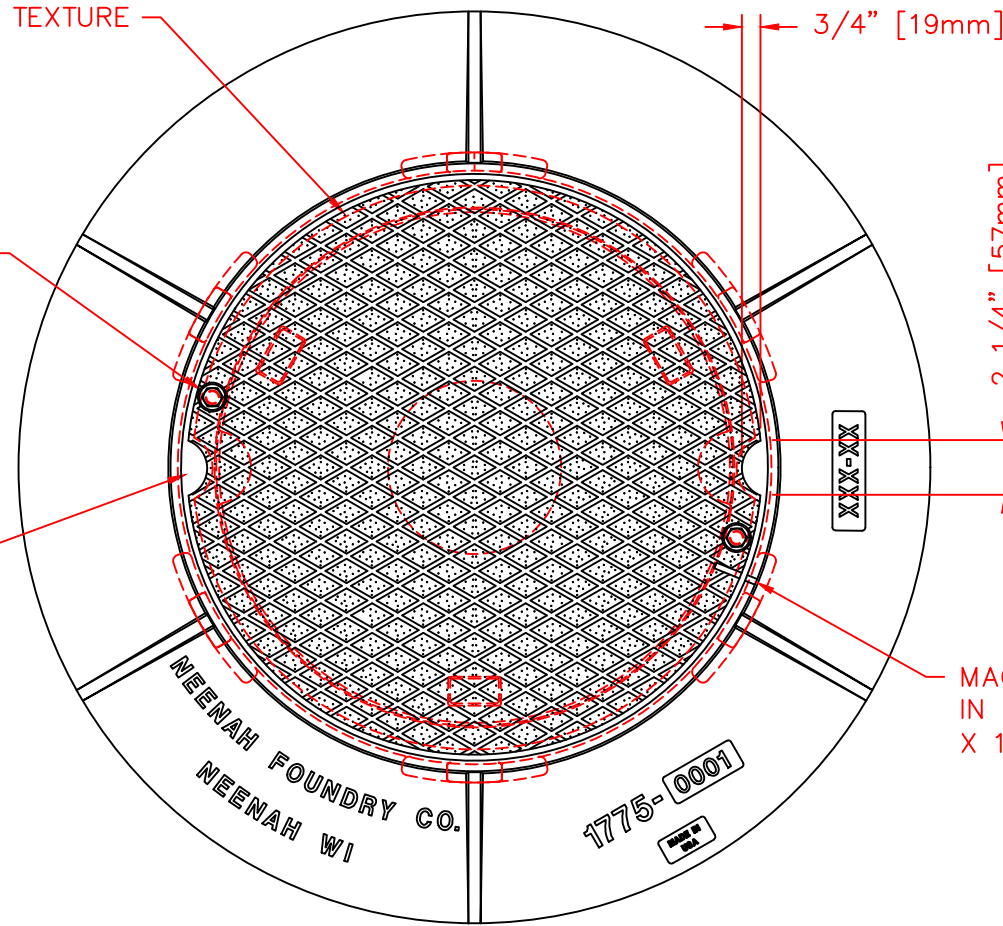


TYPE "C" LID DESIGN
w/ PERMAGRIP TEXTURE

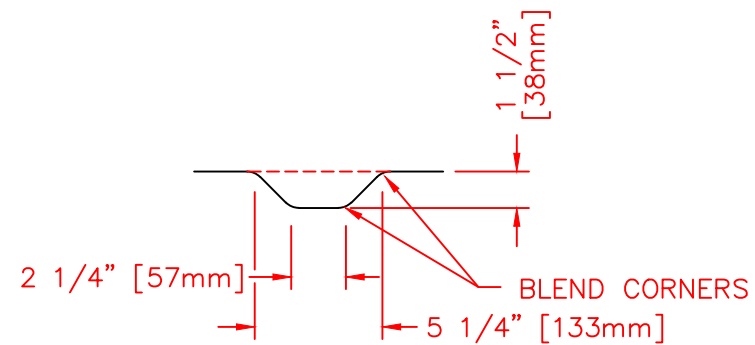
DRILL, TAP AND COUNTERBORE FOR
(2) 1/2 - 13 X 1-3/4 STNLS. STL.
HEX HD BOLT W/ NARROW WASHER

(2) OPEN PICKHOLES

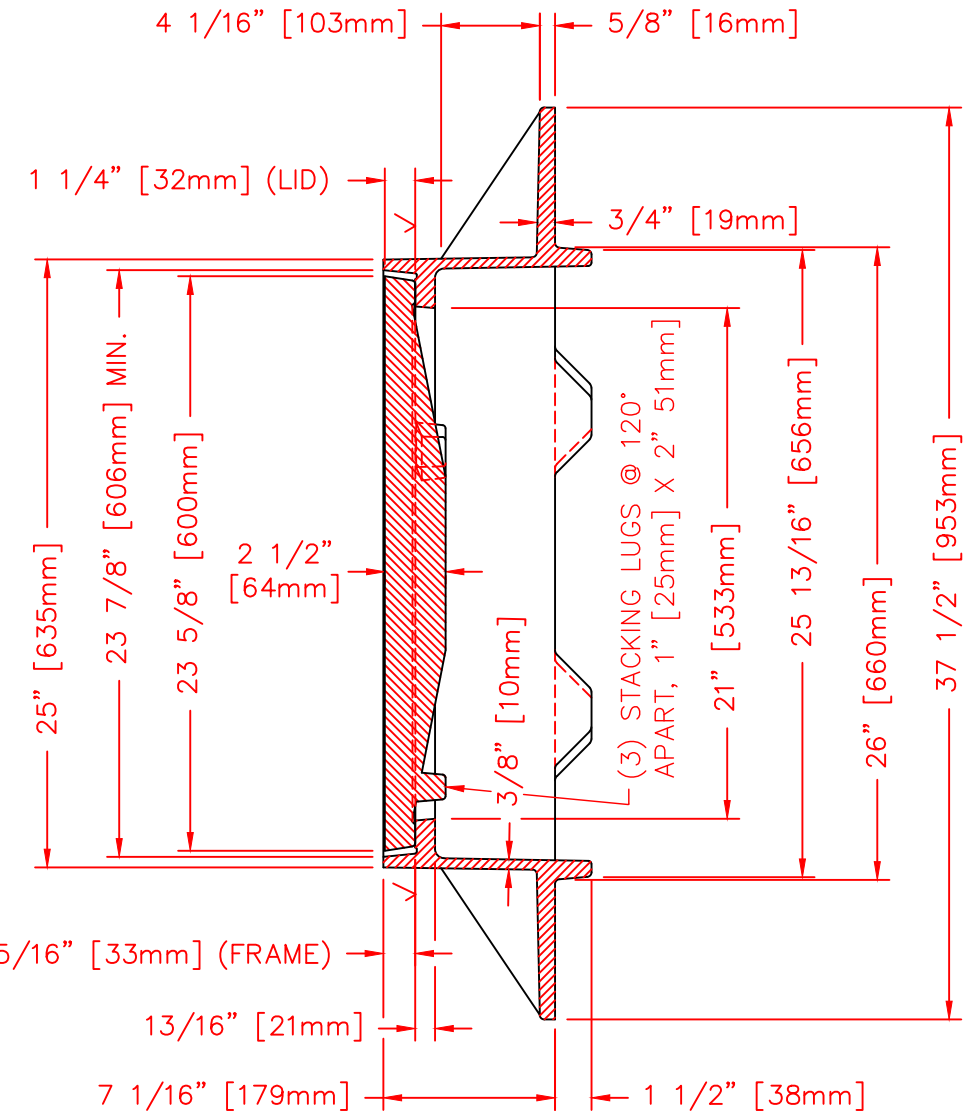


MACHINE POSITIONING NOTCH
IN FRAME AND LID 1/4" [6mm]
X 1/8" [3mm] DEEP

NEENAH FOUNDRY CO.
NEENAH WI
1775-0001



MUDRING LUG DETAIL



NOTE: ALL DIMENSIONS SHOWN ARE IN ENGLISH AND [METRIC].
NOTE: PROOF LOAD TESTED TO 200,000 LBS.
COMPONENT NOS.: FRAME 1775-0001, LID 3493-0009, BOLT KIT (2) #96546
MATERIAL: CAST GRAY IRON ASTM A-48, CLASS 35B.
FINISH: NO PAINT.
WEIGHT: FRAME 220#, LID 196#.

07-23-2013	ADDED LOADING NOTE	CAG
02-25-2011	REVISED THE STACKING LUGS FROM ROUND TO RECTANGULAR	ELN
07-07-2010	REMOVED THE 3 PADS ON UNDERSIDE OF LID	ELN
DATE	REVISION	INT

DR. CSK	SCALE 1/8"=1"	TITLE: R-3493-A BOLTED FRAME AND LID
CH.	DIM CHK.	NEENAH FOUNDRY COMPANY NEENAH WISCONSIN 54956
APP.		NEENAH FOUNDRY COMPANY
DATE 7-30-99		NF-3493 300 B