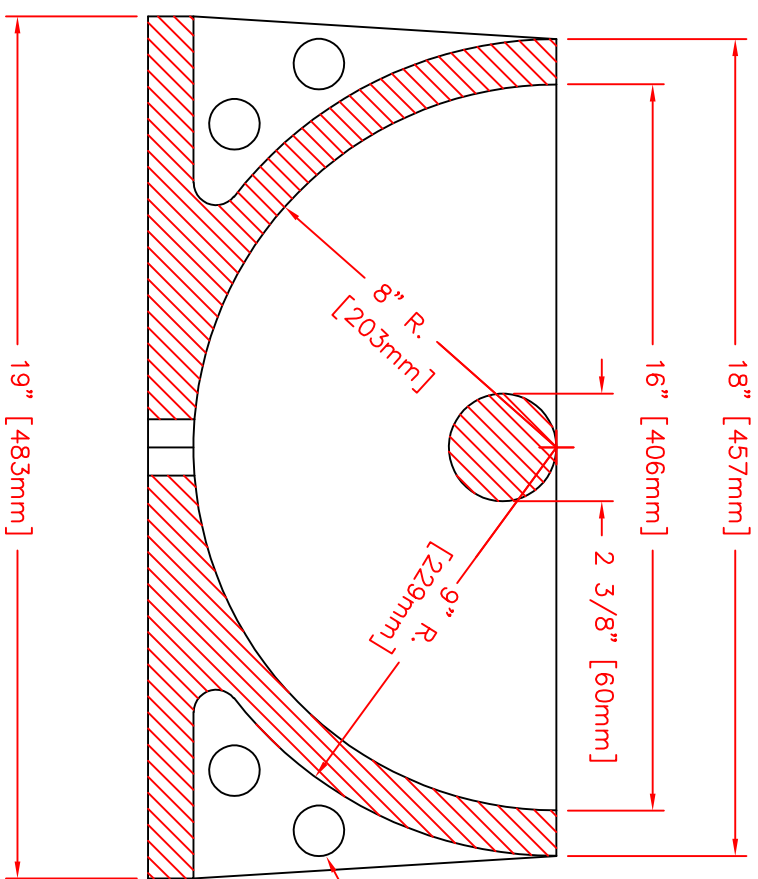
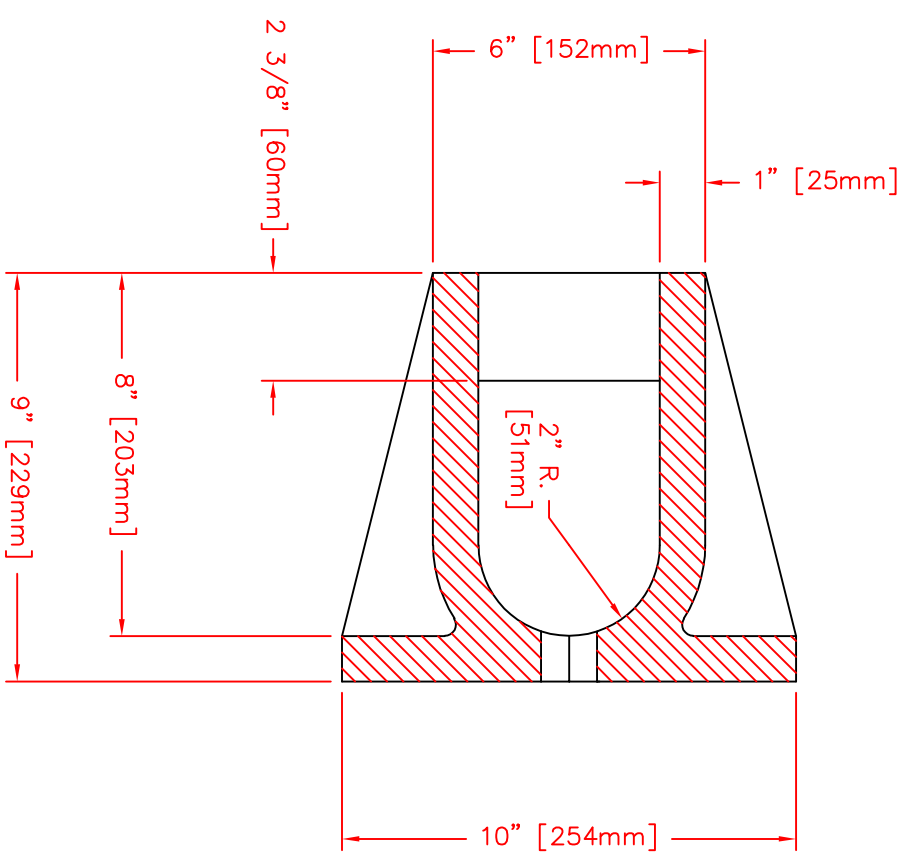
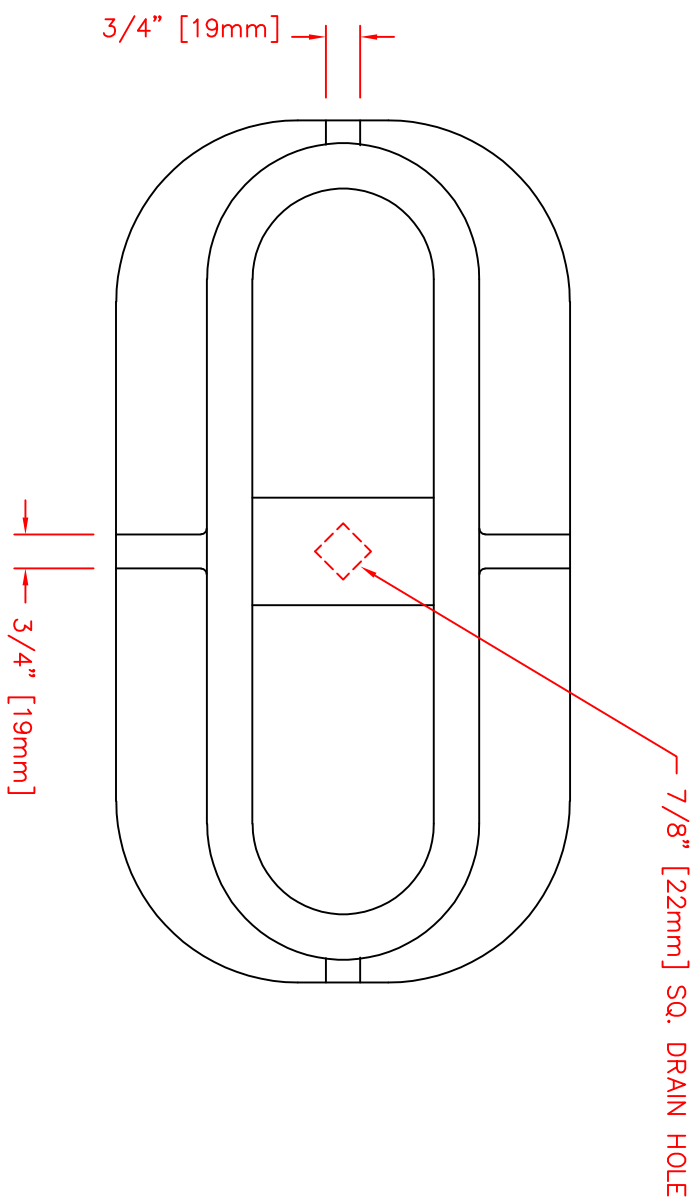


3490 590-1 B4



(4) 1 1/8" [29mm] DIA. CORRED HOLES FOR REBAR

NOTE: ALL DIMENSIONS SHOWN ARE IN ENGLISH AND [METRIC].
 COMPONENT NO: 3490-0704
 MATERIAL: CAST DUCTILE IRON, GRADE 80-55-06
 FINISH: NO PAINT
 WEIGHT: 138#

DR.	CSK	SCALE	TITLE:
CH.		1/4"=1"	R-3490-B MOORING EYE
APP.		DIM CHK.	NEENAH FOUNDRY COMPANY NEENAH WISCONSIN 54956
DATE	12-22-99		NEENAH NF-3490 590 B