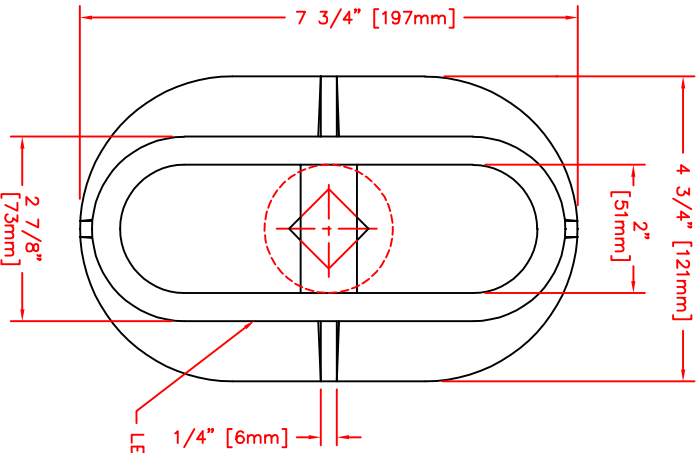
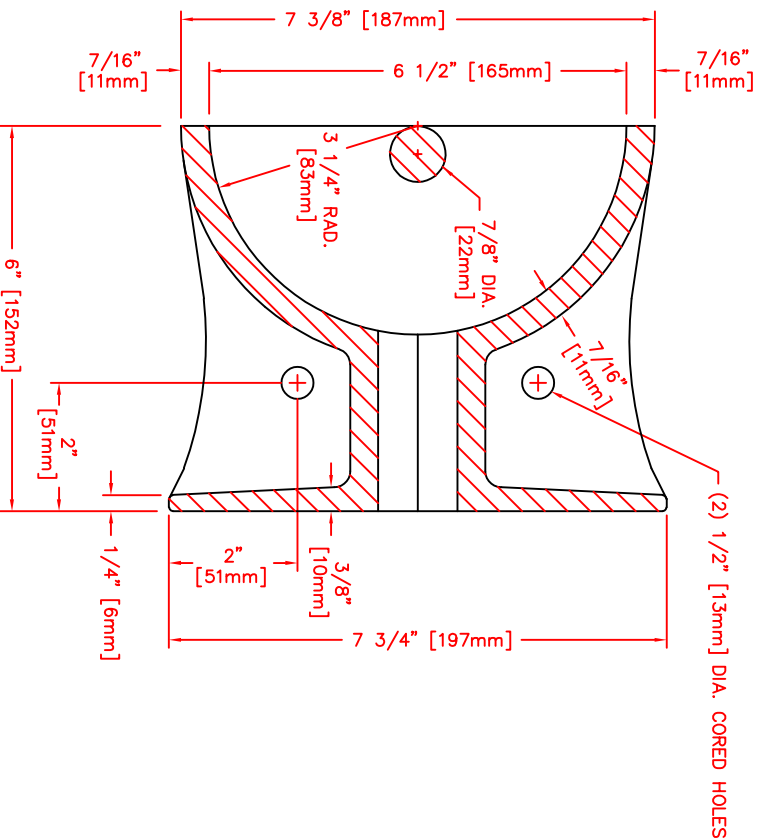


3490 550-3 B2



1/4" [6mm]

LETTERED: "NEENAH"
"3490-0705"
"DI", HEAT NO.



(2) 1/2" [13mm] DIA. CORED HOLES

NOTE: ALL DIMENSIONS ARE SHOWN IN ENGLISH AND [METRIC].
 COMPONENT NO.: 3490-0601
 MATERIAL: CAST DUCTILE IRON GRADE 80-55-06
 FINISH: NOT PAINTED
 WEIGHT: 13 LBS.
 11,000 LB. CAPACITY IN BENDING

11-01-86	ISSUED LETTERING NOTE	ELR
1-16-87	CHECKED & CORRECTED DRAWING	ELR
2-05-88	ISSUED DIMENSIONS REVISION	ELR
	DATE	DATE

DR.	E. REMME	SCALE	1/2"=1"
CH.		TITLE	DUCTILE IRON MOORING EYE
APP.		DMR CHK.	ELR
DATE	4-24-86		

R-3490-A	
DUCTILE IRON MOORING EYE	
NEENAH FOUNDRY COMPANY KENNAH WISCONSIN 54005	
NF-3490	550 B