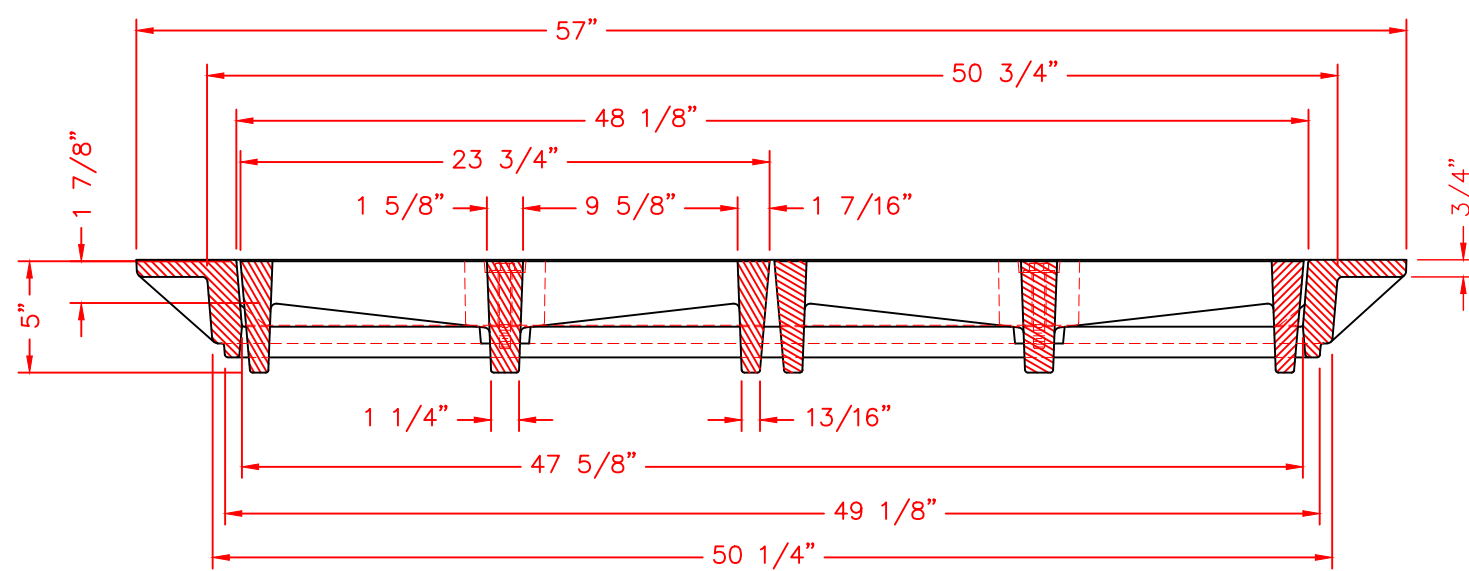
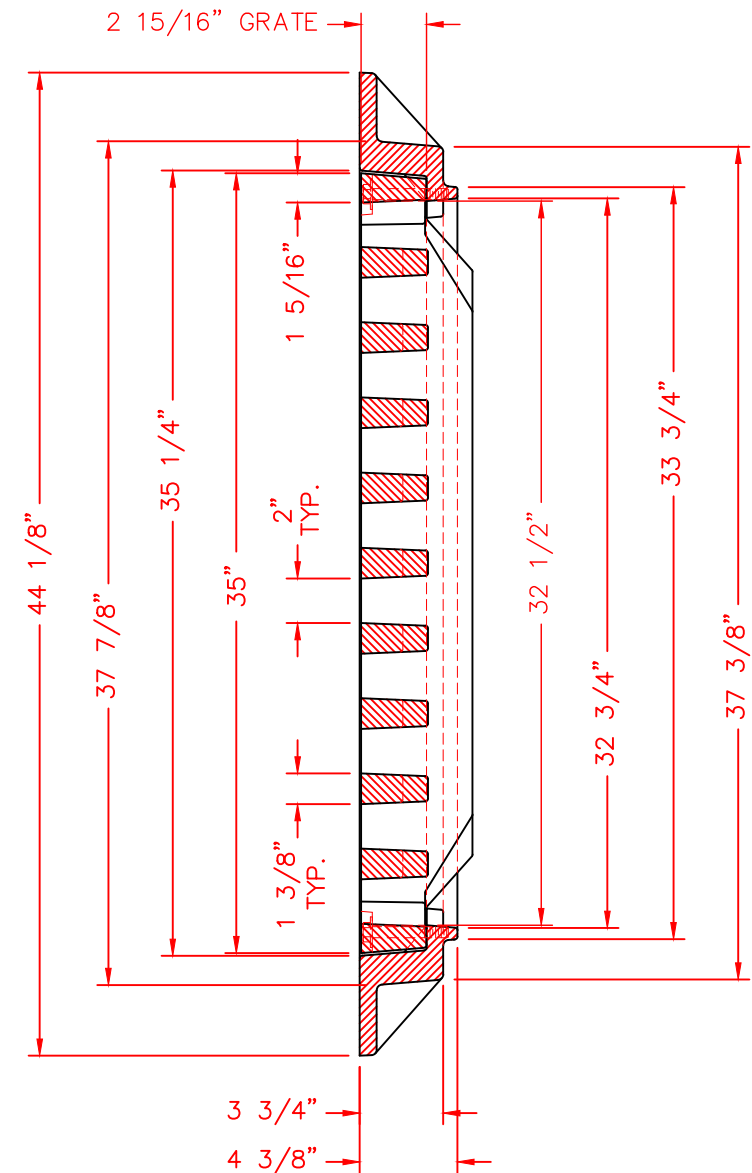


DRILL AND TAP FRAME FOR
(4) 1/2-13UNC X 3 1/2 STNLS.
STL. HEX BOLTS W/WASHERS



NOTE: - CONFORMS TO MINIMUM 100,000-POUND LOADS PER FAA ADVISORY CIRCULAR AC 150/5320-6D APPENDIX 3 ITEM 2.D.(1).
(ACTUAL PROOF LOAD IS 200,000-POUND ON A 9" X 9" CONTACT AREA.)
MEETS FASTENING REQUIREMENT PER FAA ADVISORY CIRCULAR AC 150/5370-10A

COMPONENT NO'S: FRAME 3475-2002, GRATE (2) 3475-3090
MATERIAL: FRAME - CAST GRAY IRON ASTM A-48, CLASS 35B
GRATE - CAST DUCTILE IRON ASTM A536, 55+KSI

FINISH: NOT PAINTED

WEIGHT: FRAME 391#, GRATE 324#/EA.

DR. E. NIVER	SCALE 1/8"=1"	TITLE: R-3475-F BOLTED FRAME AND GRATES
CH. RKB		
APP. SPT		
DATE 02-18-2015		
NEENAH FOUNDRY		NF-3475585 B
NEENAH WISCONSIN 54956 PHONE 800-558-5075 LINCOLN, NEBRASKA 68529 PHONE 800-234-7466		
10-02-2017	ADDED LOADING NOTE	ELN RKB SPT
DATE	REVISION	DR CH APP
www.nfco.com		