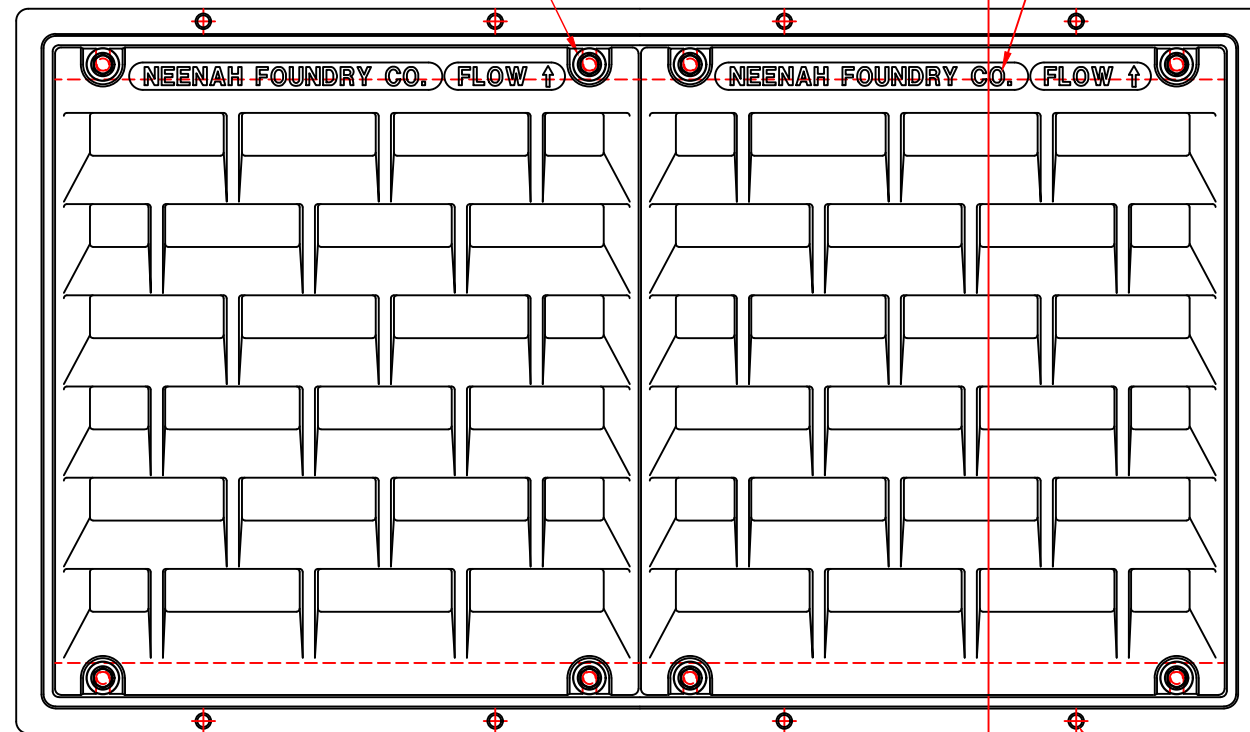
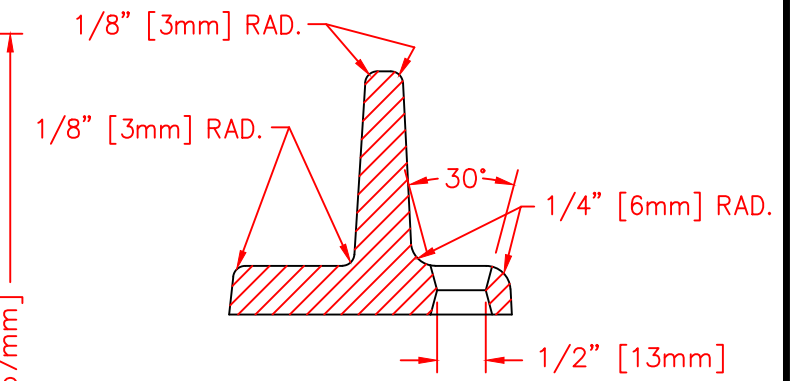
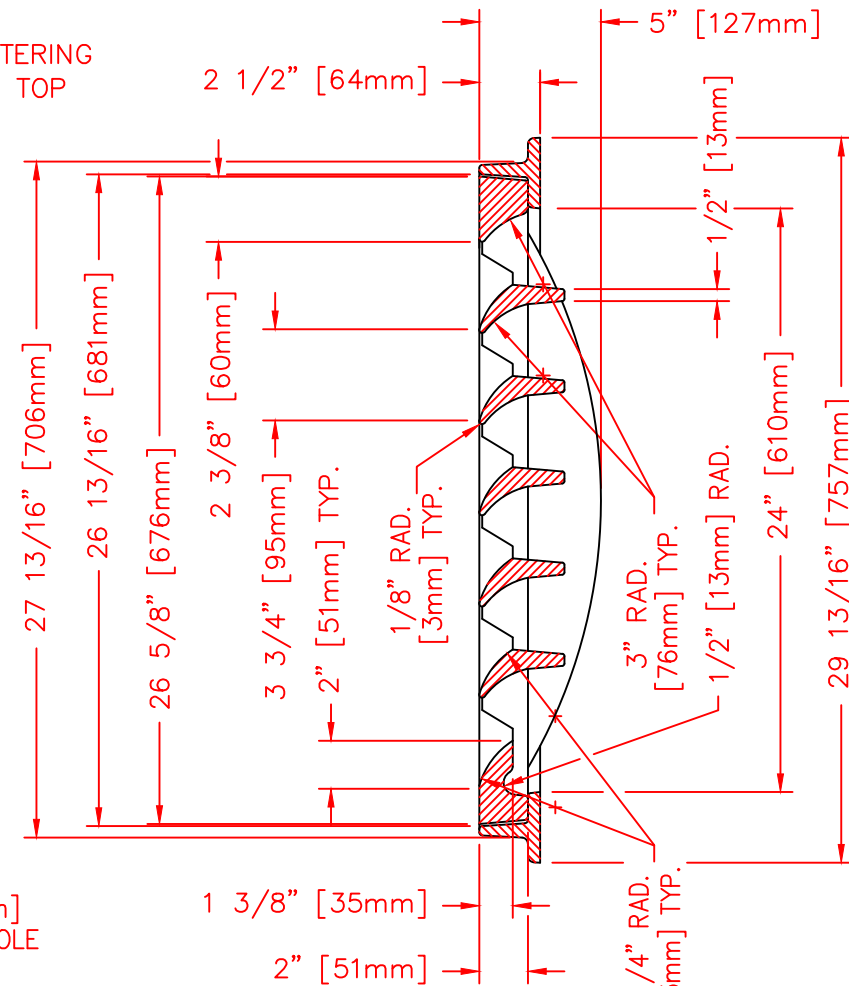


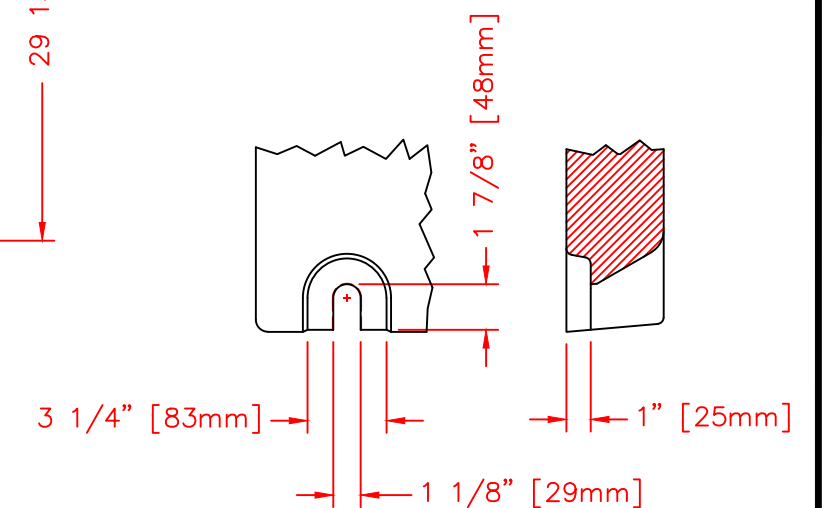
(8) DRILL AND TAP FRAME FOR  
1/2-13X2 1/4 HEX HD BOLT AND  
NARROW WASHER (KIT #91562)



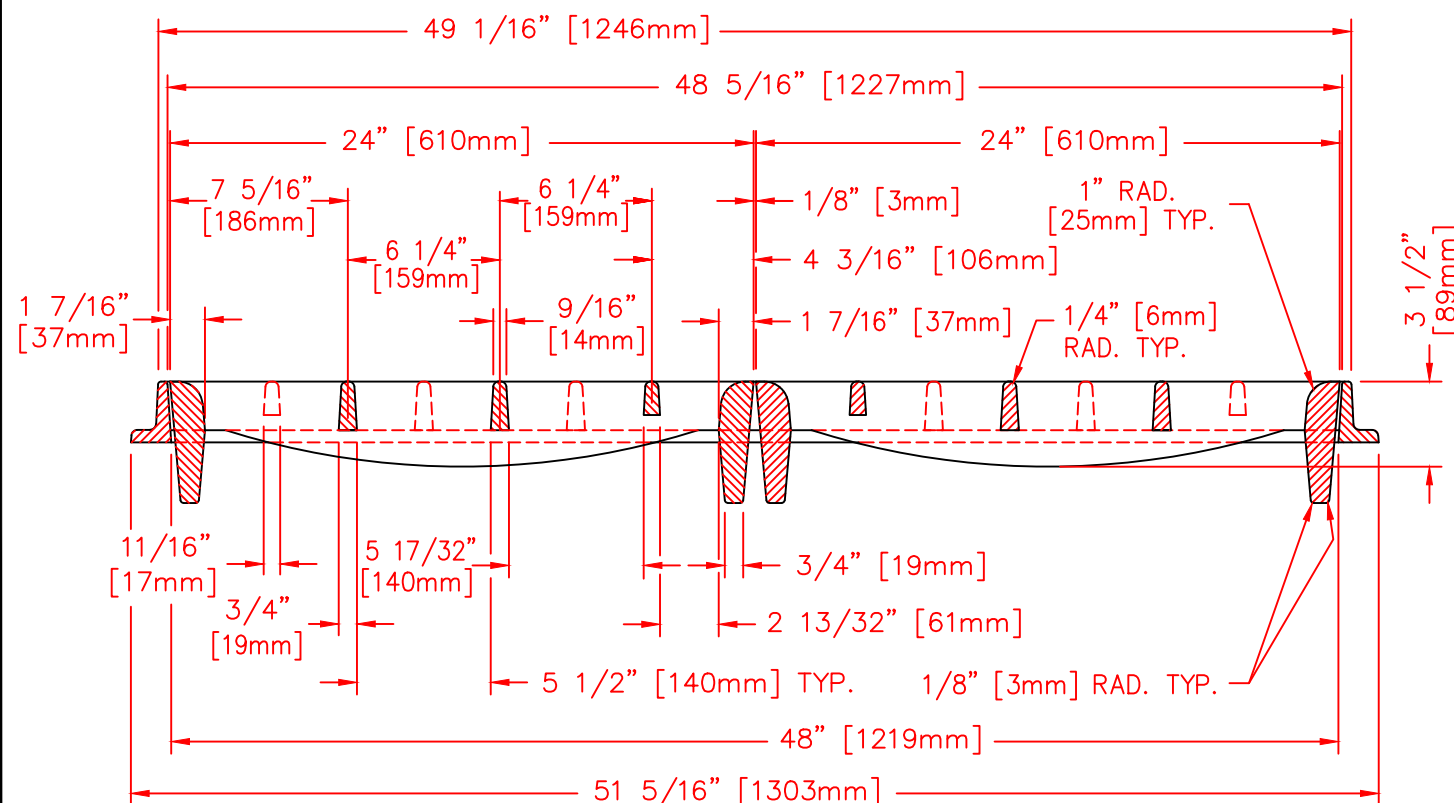
3/4" [19mm] LETTERING  
RAISED FLUSH w/ TOP



ANCHOR HOLE DETAIL  
SCALE 1:2



GREEN SAND BOLT SLOT DETAIL  
SCALE 1:4



SECTION A-A

NOTE: ALL DIMENSIONS ARE SHOWN IN ENGLISH AND [METRIC].  
COMPONENT NO'S: FRAME 3470-2001, GRATE 3470-3000  
FREE OPEN AREA: 1.87 SQUARE FEET PER GRATE  
MATERIAL: CAST GRAY IRON ASTM A48, CLASS 35B  
FINISH: NOT PAINTED

DR.	E. REMME	SCALE	1/8"=1"	TITLE:	R-3470-2
CH.					FRAME & 2 PC. GRATE
APP.		DIM CHK.		NEENAH	NF-3470 200 B
DATE	1-12-98			FOUNDRY COMPANY NEENAH WISCONSIN 54956	

01-05-2008	GHG. BOLT, WAS 3/8"	CSM
01-03-2007	REVISED BOLT SLOTS ON GRATES	LMA
DATE	REVISION	INT