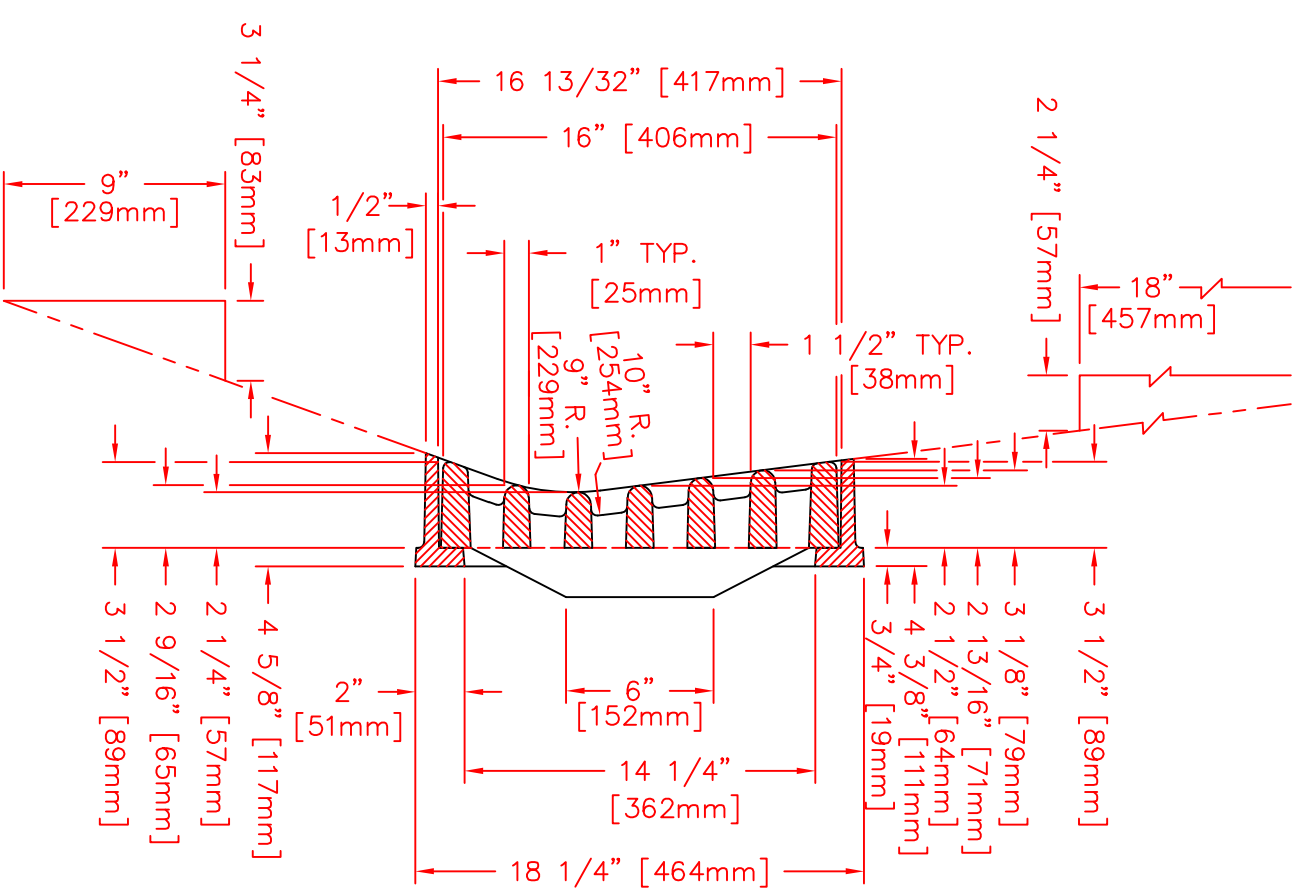
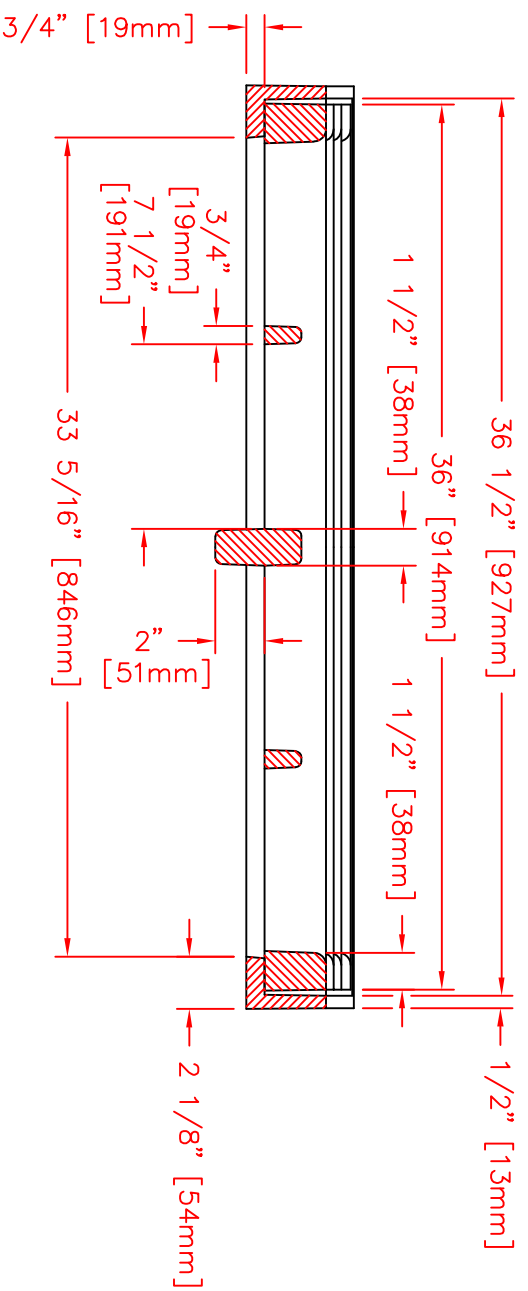
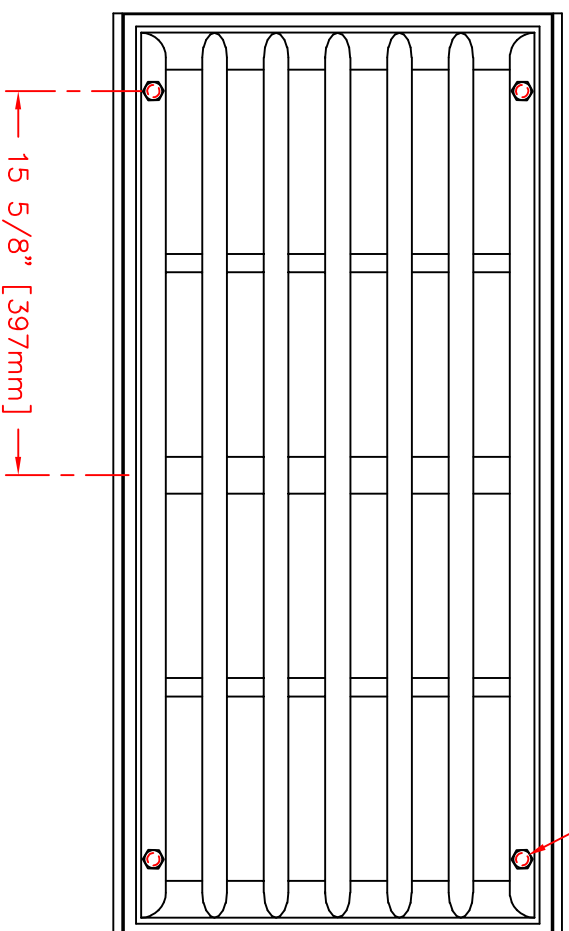


DRILL AND TAP FOR
 3/8" - 16 X 2 STNLS. STL.
 HEX BOLT W/ WASHER (4 PLACES)



NOTE: ALL DIMENSIONS SHOWN ARE IN ENGLISH AND [METRIC].
 COMPONENT NO'S: FRAME 3393-0001; GRATE 3393-0004
 MATERIAL: CAST GRAY IRON ASTM A-48, CLASS 35B
 FINISH: NO PAINT
 WEIGHT: FRAME 92#; GRATE 247#

DR.	CSK	SCALE	TITLE:	R-3393-A
CH.		1/8"=1"	FRAME AND GRATE	
APP.		DIM CHK.		
DATE	10-05-94		NEENAH FOUNDRY COMPANY NEENAH WISCONSIN 54956	NF-3393 415 B