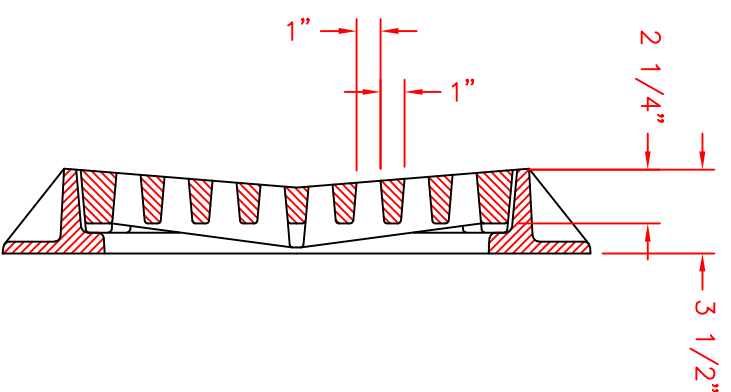
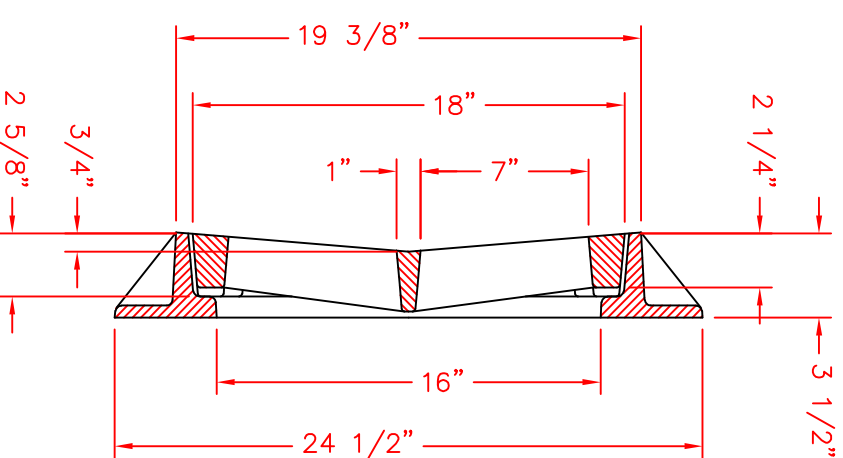


SECTION C-C



SECTION A-A



SECTION B-B

COMPONENT NO.: FRAME 3359-0001, GRATE 3359-0002
 MATERIAL: CAST GRAY IRON ASTM A-48, CLASS 35B
 FINISH: NO PAINT
 WEIGHTS: FRAME 108#, GRATE 154#

DR.	E. REMME	SCALE	1/8" = 1"	TITLE:	R-3359
CH.					FRAME AND CONCAVE GRATE
APP.		DIM CHK.		NEENAH FOUNDRY COMPANY NEENAH WISCONSIN 54956	NEENAH FOUNDRY
DATE	07-13-2009				NF-3359 400B