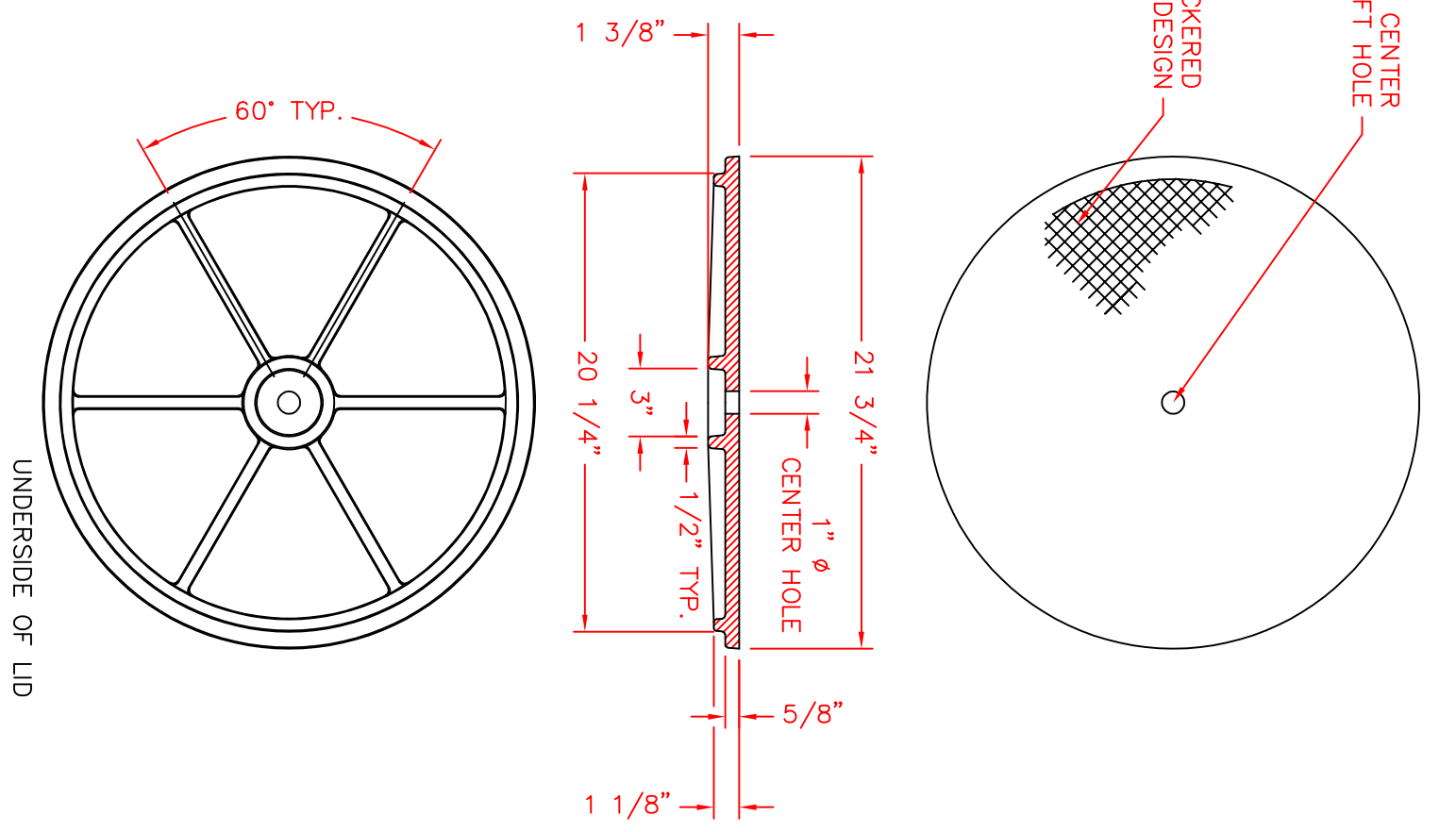
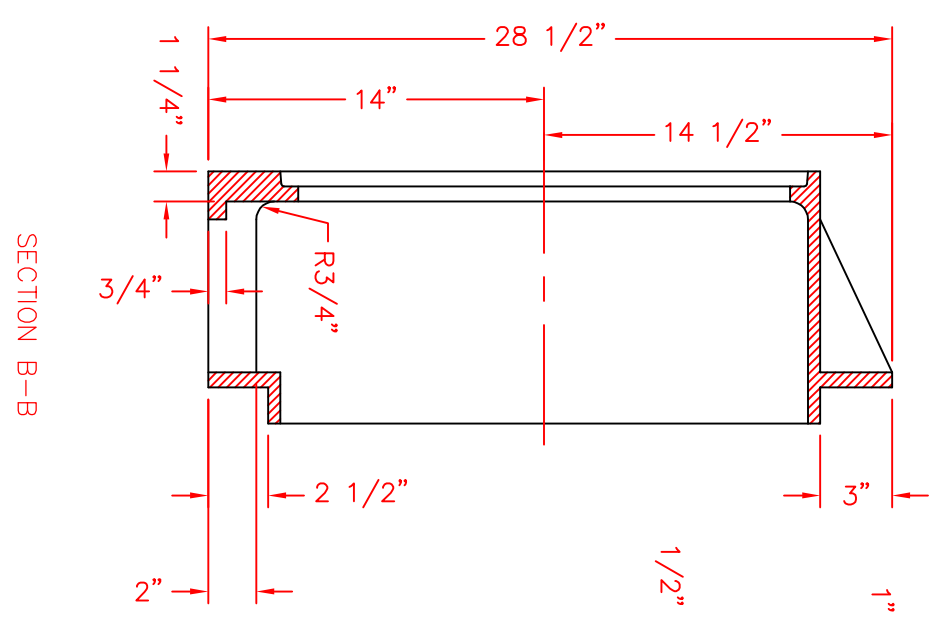
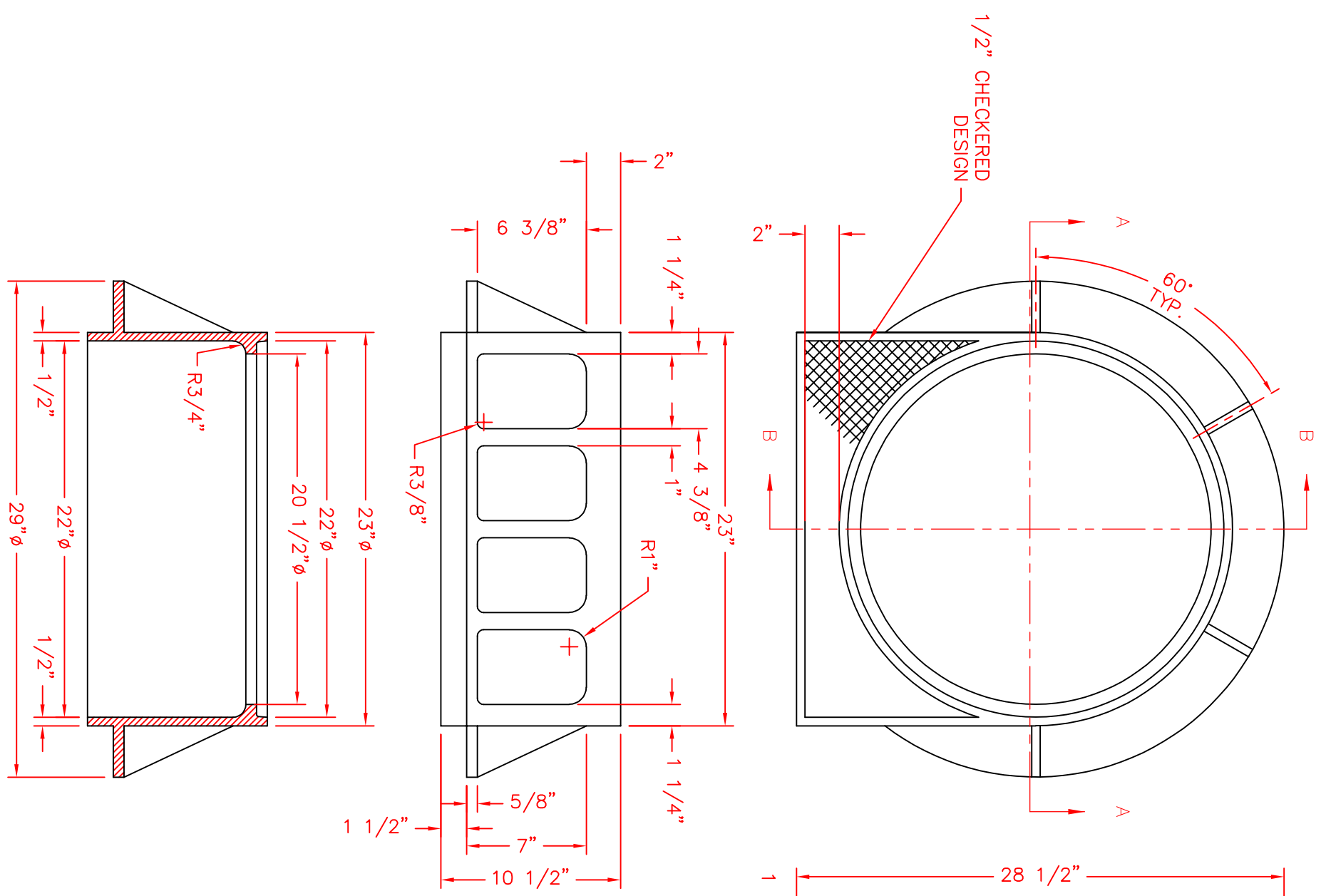


DR.	CSM	SCALE	TITLE:
CH.		1/8"=1"	R-3303
APP.		DIM CHK.	FRAME AND LID
DATE	04-05-2006		NEENAH FOUNDRY COMPANY NEENAH WISCONSIN 54956
			<b>INER</b>
			NF- 3303 400B

COMPONENT NOS.: FRAME 3303-0001, LID 3303-0002  
 MATERIAL: CAST GRAY IRON ASTM A-48, CLASS 35B  
 FINISH: NO PAINT UNLESS SPECIFIED ON PURCHASE ORDER  
 WEIGHT: FRAME 224#, LID 66#  
 WAS 3303400.JPG



UNDERSIDE OF LID