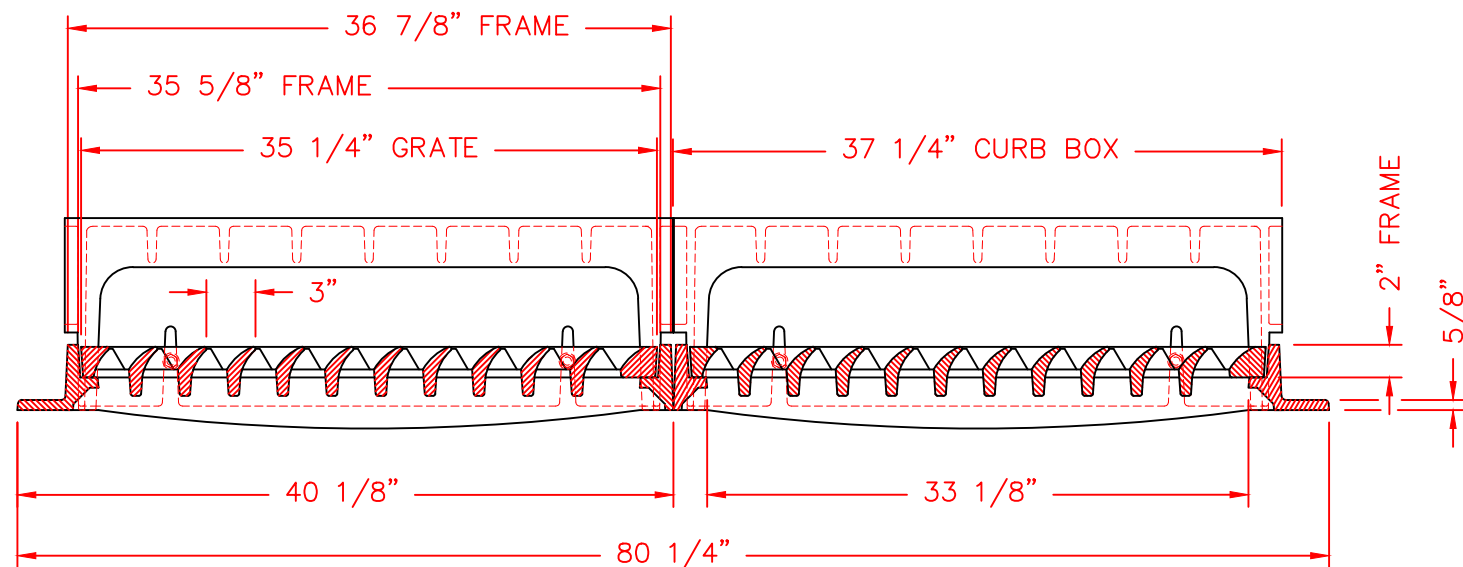
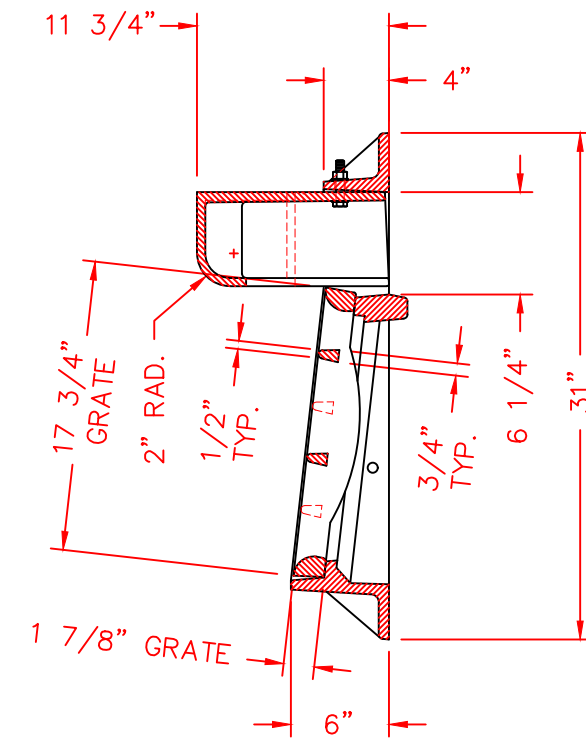


FRAME SECTIONS BOLTED TOGETHER w/ 1/2"-13 X 2 1/2" STEEL HEX BOLT, NUT AND WASHER



COMPONENT NOS.: FRAME w/RIGHT FLANGE REMOVED 3295-2002
 FRAME w/LEFT FLANGE REMOVED 3295-2003
 (2) GRATE 3067-3000, (2) CURB BOX 3295-7002
 MATERIAL: CAST GRAY IRON ASTM A-48, CLASS 35B.
 FINISH: NO PAINT.
 WEIGHT: 3295-2002 185 LBS., 3295-2003 185 LBS.,
 (2) 3067-3000 146 LBS. EA., (2) 3295-7002 124 LBS. EA.

DR.	CSK	SCALE	TITLE:
CH.		3/4"=1'-0"	R-3295-2 DOUBLE INLET FRAMES, TYPE 'L' GRATES, AND CURB BOXES
APP.		DIM CHK.	NEENAH FOUNDRY COMPANY
DATE	05-05-99		NEENAH WISCONSIN 54956

12-5-2000	REVISED CURB BOX. PER COMP DWG	LMA
7-26-2000	REVISED FR. & GR. PER COMP DWG	LMA
DATE	REVISION	INT



NF-3295 500 B