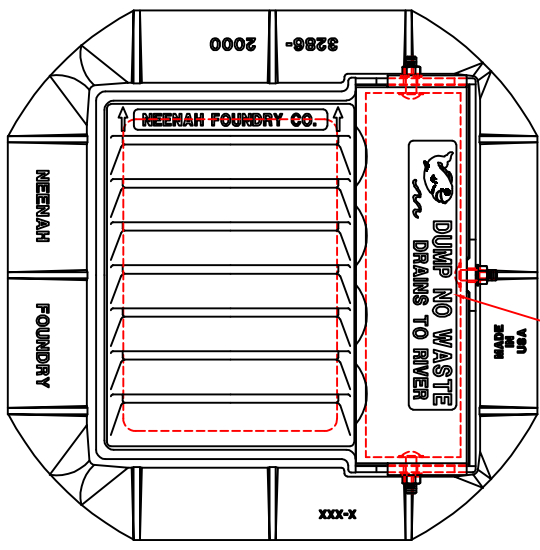
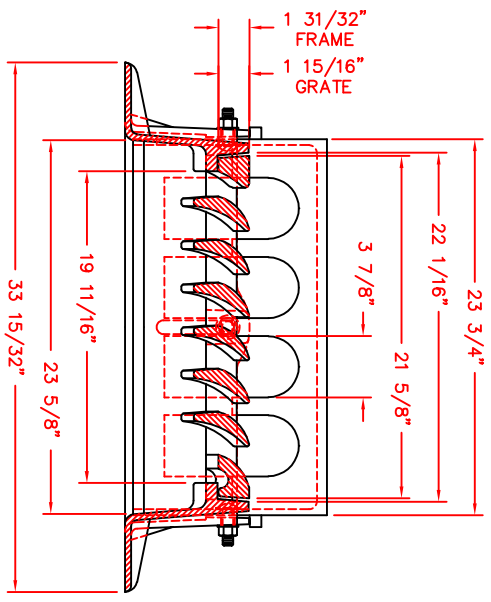
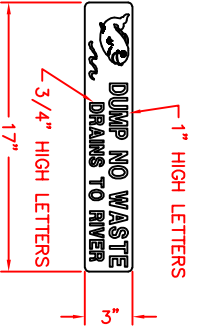
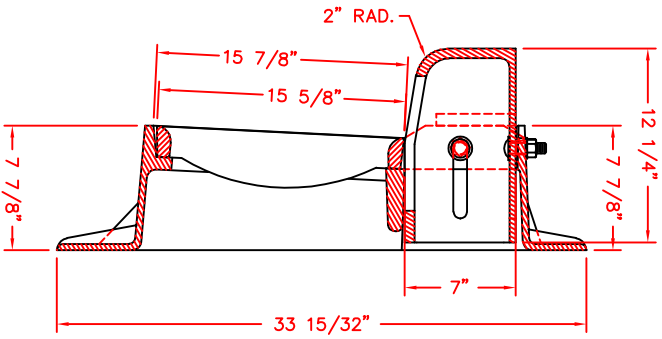


3286 462-1 B8



SEE LOGO DETAIL



COMPONENT NOS: FRAME 3286-2000, GRATE 3286-0018, CURB BOX 3286-7001
 MATERIAL: CAST GRAY IRON ASTM A-48, CLASS 35B
 FINISH: NO PAINT
 WEIGHT: FRAME 174 LBS., GRATE 97 LBS., CURB BOX 79 LBS.

DR.	E. NIVER	SCALE	1/8"=1"	TITLE	R-3286-8V w/ ENVIRO NOTICE
CHK.					FRAME, TYPE "V" GRATE, AND CURB BOX
APP.		DIM CHK.		NEENAH FOUNDRY COMPANY	
DATE	05-10-2011			NEENAH FOUNDRY COMPANY NEENAH WISCONSIN 5499	
					NF-3286 462B