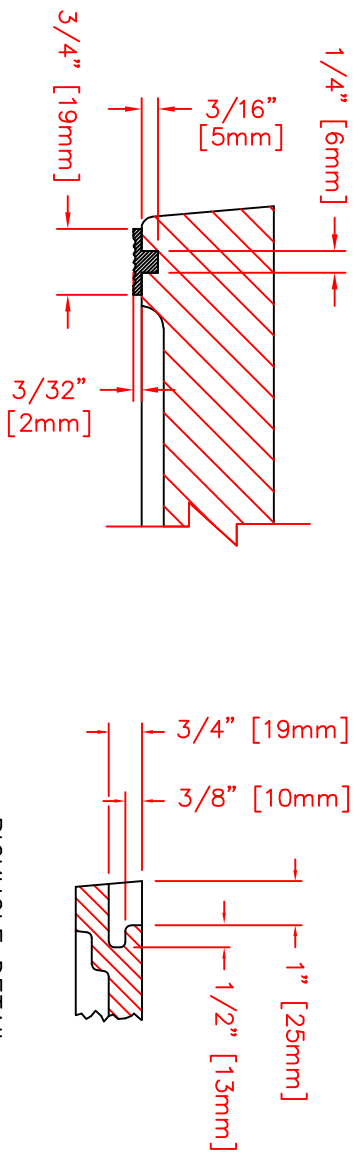
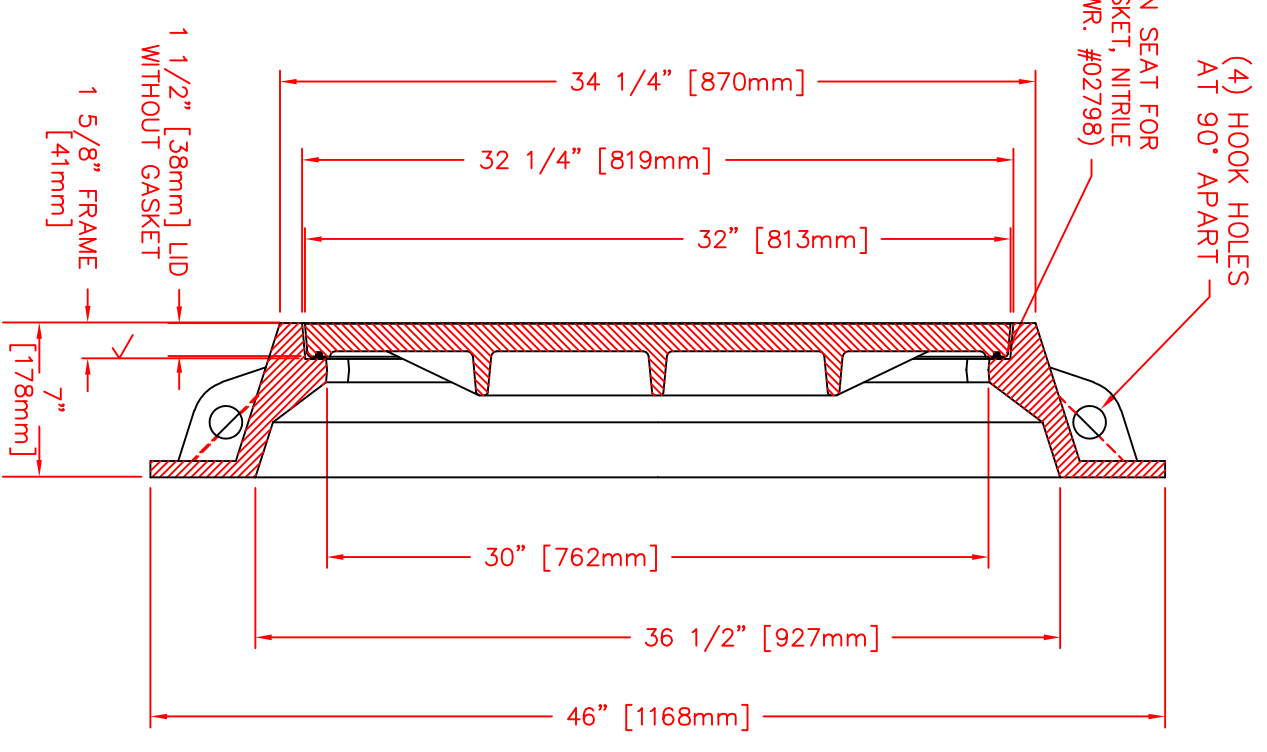
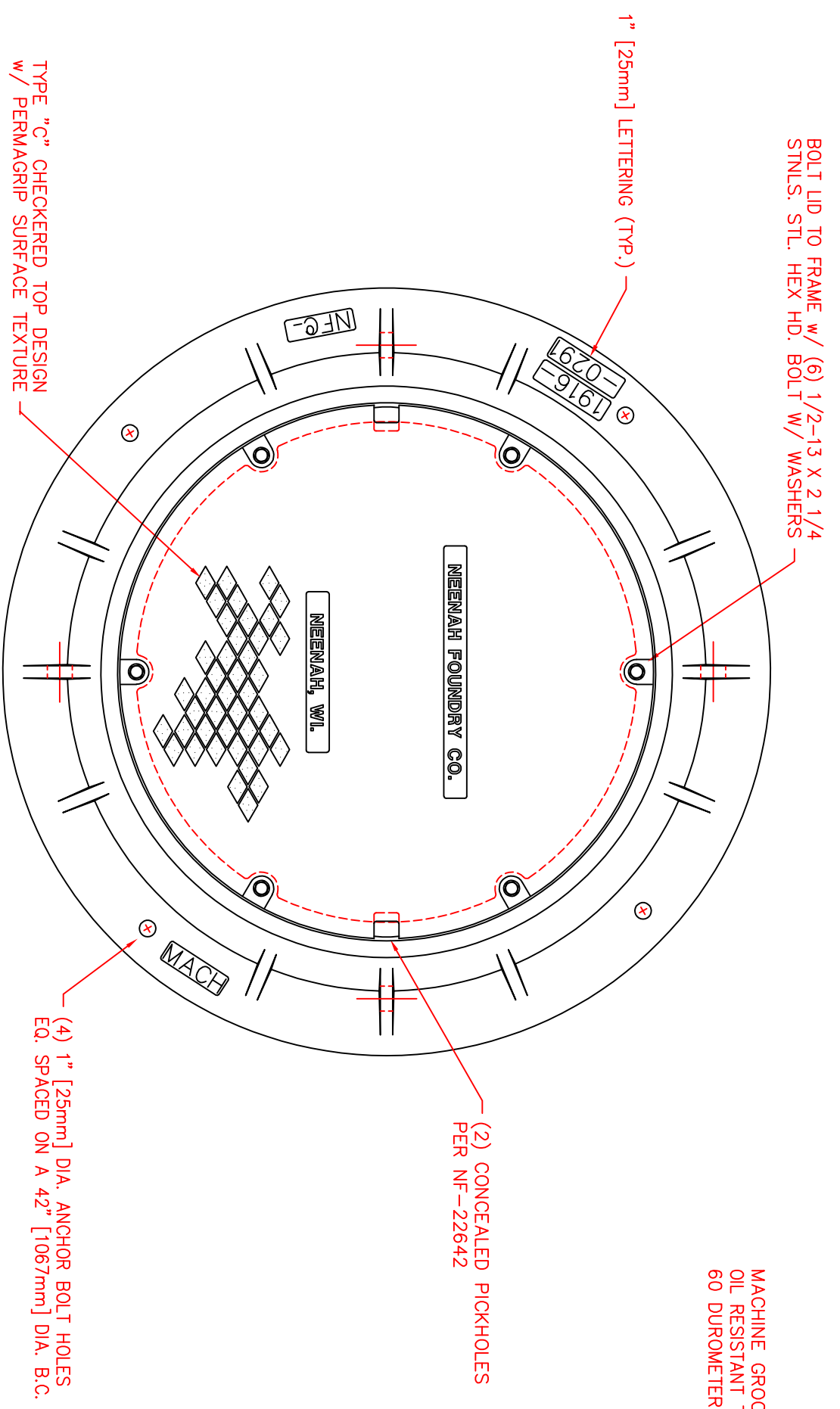


1916 549-4

B8



NOTE: ALL DIMENSIONS SHOWN ARE IN ENGLISH AND [METRIC].  
 CAPABLE OF H-25/HS-25 LOAD RATING  
 COMPONENT NO'S: FRAME 1916-0291; LID 1916-0323  
 MATERIAL: CAST GRAY IRON ASTM A-48, CLASS 35B  
 FINISH: NO PAINT  
 WEIGHT: FRAME 358#, LID 269#

T-SEAL GASKET DETAIL  
 HALF SCALE

PICKHOLE DETAIL  
 QUARTER SCALE

CAD DWG. REF: 1916 549.DWG-4

<table border="1"> <tr> <th>REV</th> <th>DATE</th> <th>REVISION</th> <th>APP.</th> <th>DATE</th> <th>INT</th> </tr> <tr> <td>3</td> <td>03-07-16</td> <td>ADDED LOAD NOTE</td> <td>HSH</td> <td></td> <td></td> </tr> <tr> <td>2</td> <td>6-14-95</td> <td>REVISED FRAME "A" DIM, WAS 32 1/8"</td> <td>ELR</td> <td></td> <td></td> </tr> <tr> <td>1</td> <td>4-22-95</td> <td>CORRECT FRAME AND LID DIMS</td> <td>CSK</td> <td></td> <td></td> </tr> </table>	REV	DATE	REVISION	APP.	DATE	INT	3	03-07-16	ADDED LOAD NOTE	HSH			2	6-14-95	REVISED FRAME "A" DIM, WAS 32 1/8"	ELR			1	4-22-95	CORRECT FRAME AND LID DIMS	CSK			<table border="1"> <tr> <th>DR.</th> <th>SCALE</th> <th>TITLE:</th> </tr> <tr> <td>CSK</td> <td>1/8"=1"</td> <td>R-1916-H FRAME AND LID BOLTED AND GASKETED w/ "T" SEAL</td> </tr> </table>	DR.	SCALE	TITLE:	CSK	1/8"=1"	R-1916-H FRAME AND LID BOLTED AND GASKETED w/ "T" SEAL
REV	DATE	REVISION	APP.	DATE	INT																										
3	03-07-16	ADDED LOAD NOTE	HSH																												
2	6-14-95	REVISED FRAME "A" DIM, WAS 32 1/8"	ELR																												
1	4-22-95	CORRECT FRAME AND LID DIMS	CSK																												
DR.	SCALE	TITLE:																													
CSK	1/8"=1"	R-1916-H FRAME AND LID BOLTED AND GASKETED w/ "T" SEAL																													
<table border="1"> <tr> <th>DATE</th> <th>APP.</th> <th>DIM CHK.</th> </tr> <tr> <td>4-17-95</td> <td></td> <td></td> </tr> </table>	DATE	APP.	DIM CHK.	4-17-95			<p>NEENAH FOUNDRY COMPANY          NEENAH WISCONSIN 54956</p> <p><b>NEENAH</b></p>																								
DATE	APP.	DIM CHK.																													
4-17-95																															
NF-1916 549		B																													