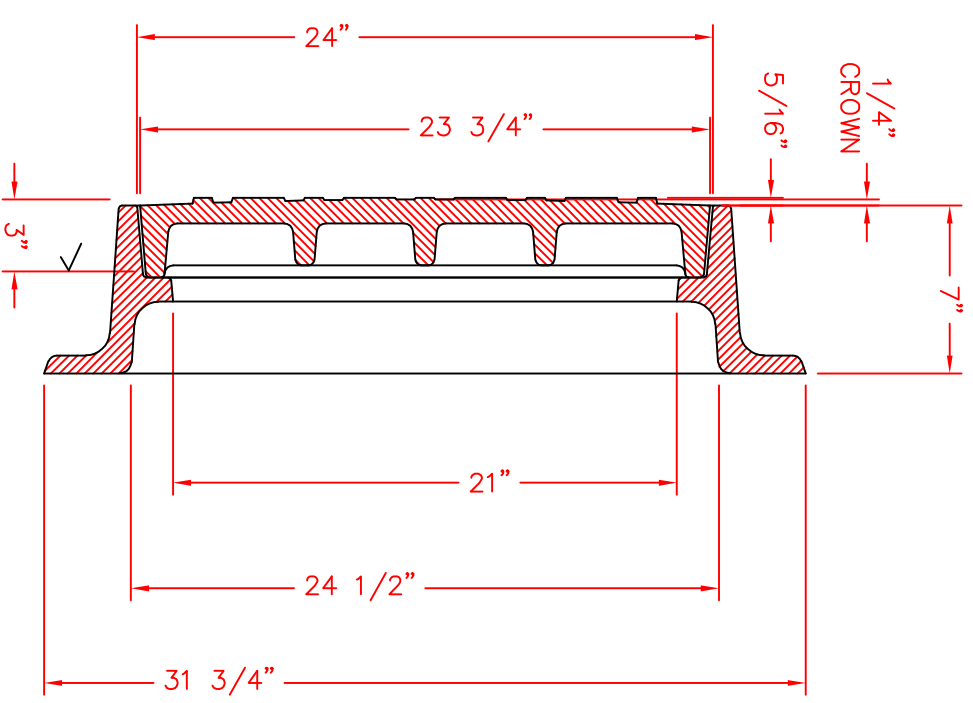


CONCEALED PICK HOLES DETAIL  
SCALE 1:4



NOTE: ALL DIMENSIONS SHOWN ARE IN ENGLISH  
 COMPONENT NO'S: FRAME 1788-0202, LID 1788-1515  
 MATERIAL: CAST GRAY IRON ASTM A-48, CLASS 35B  
 FINISH: NO PAINT  
 WEIGHT: FRAME 219#, LID 194#

DR.	LMA	SCALE	TITLE:	R-1788-A
CH.		1/8"=1"		FRAME & LID
APP.		DIM CHK.		
DATE	02-15-2007			

NEENAH FOUNDRY COMPANY  
 NEENAH WISCONSIN 54956



NF-1788 200B