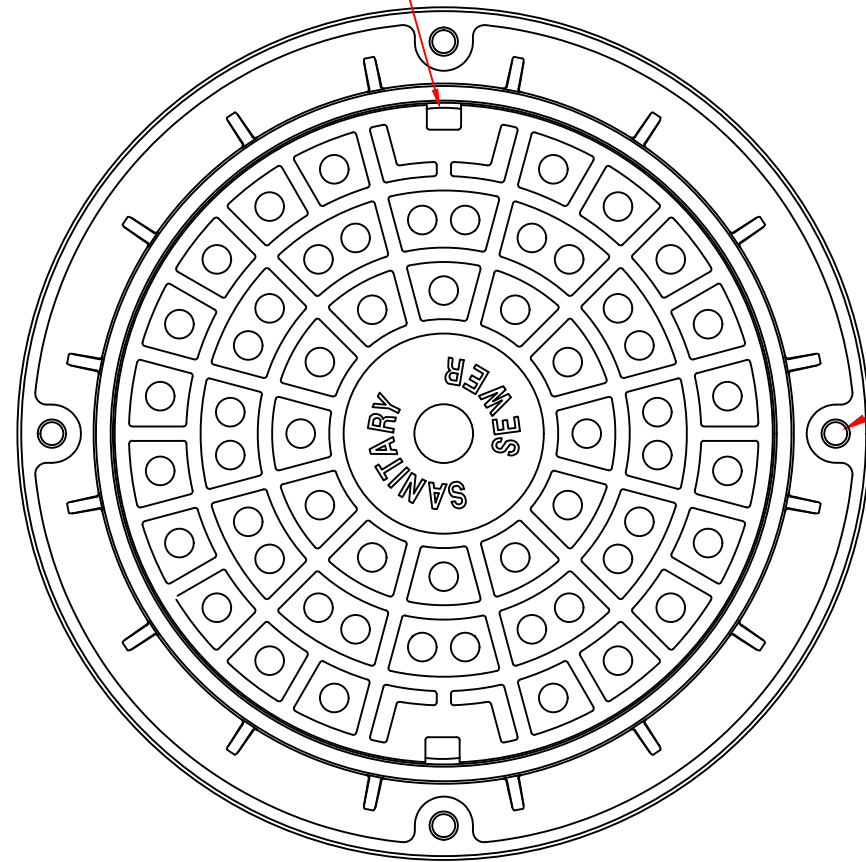
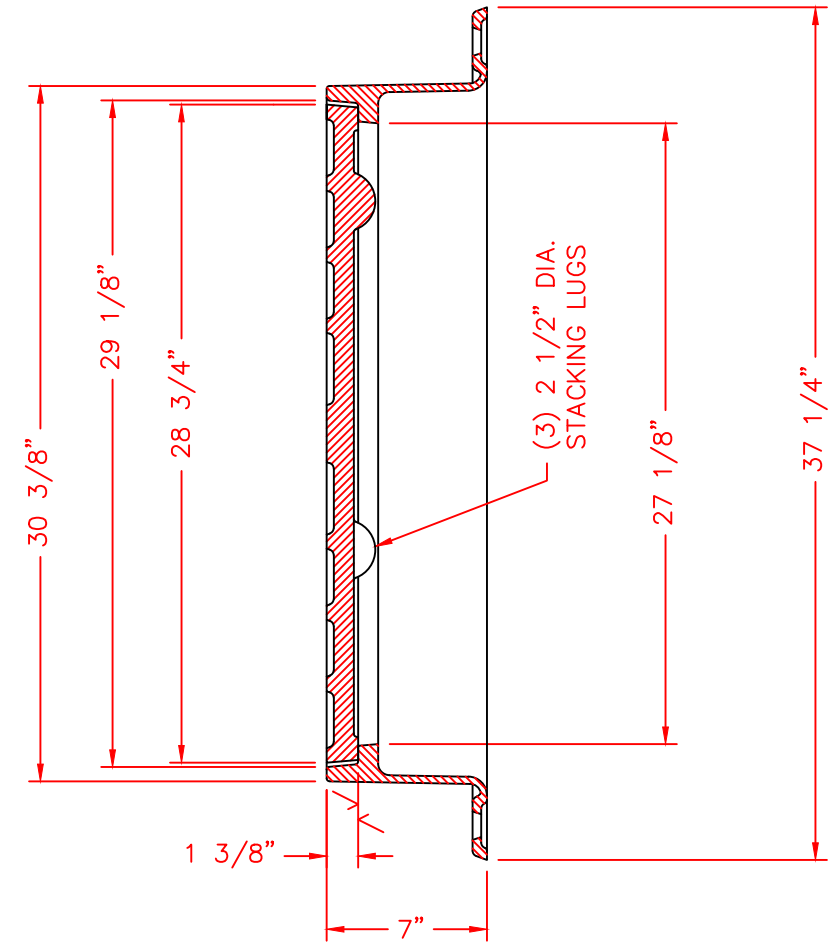


DRAWING CONTROL: CONTROLLED DRAWINGS ON NFCO SERVER. ALL OTHER COPIES, ELECTRONIC OR PRINTED ARE FOR REFERENCE ONLY

(2) CONCEALED PICKHOLES PER NF-22642



(4) 1" DIA. ANCHOR BOLT HOLES



NOTES:
 COMPONENT NO: FRAME - 1753-2300, LID 1753-5001
 MATERIAL: CAST GRAY IRON ASTM A-48, CLASS 35B
 FINISH: NO PAINT UNLESS SPECIFIED ON PURCHASE ORDER
 WEIGHT: FRAME - 121 LBS., LID - 179 LBS.

DR. HG	SCALE 1/8"=1"	TITLE: R-1753-A FRAME AND LID	
CH. NJK			
APP. JODE	NEENAH FOUNDRY		
DATE 12-26-2019	NEENAH WISCONSIN 54956 PHONE 800-558-5075		
	LINCOLN, NEBRASKA 68529 PHONE 800-234-7466		
	www.nfco.com	NF-1753115	B

REV	DATE	DESCRIPTION	DR	CH	APP

CAD DWG. REF: 1753115.DWG-

0