

2" RAISED LETTERING  
FLUSH w/TOP SURFACE

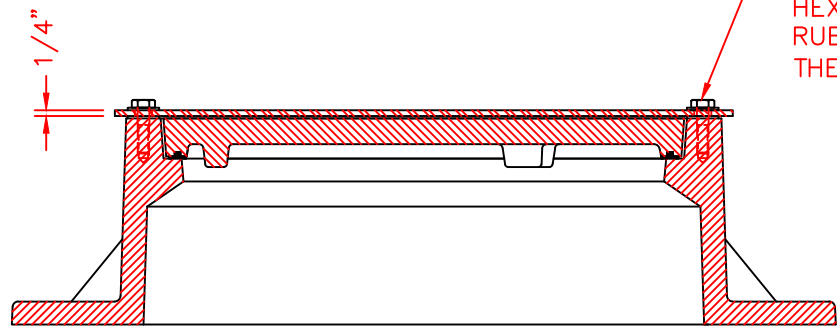
EACH BOLT ASSEMBLY CONSISTS OF:  
(1) 1/2" Ø STAINLESS STEEL BOLT  
(1) STAINLESS STEEL WASHER  
(1) REINFORCED RUBBER WASHER

(2) CONCEALED PICKHOLES  
PER NF-9204-A

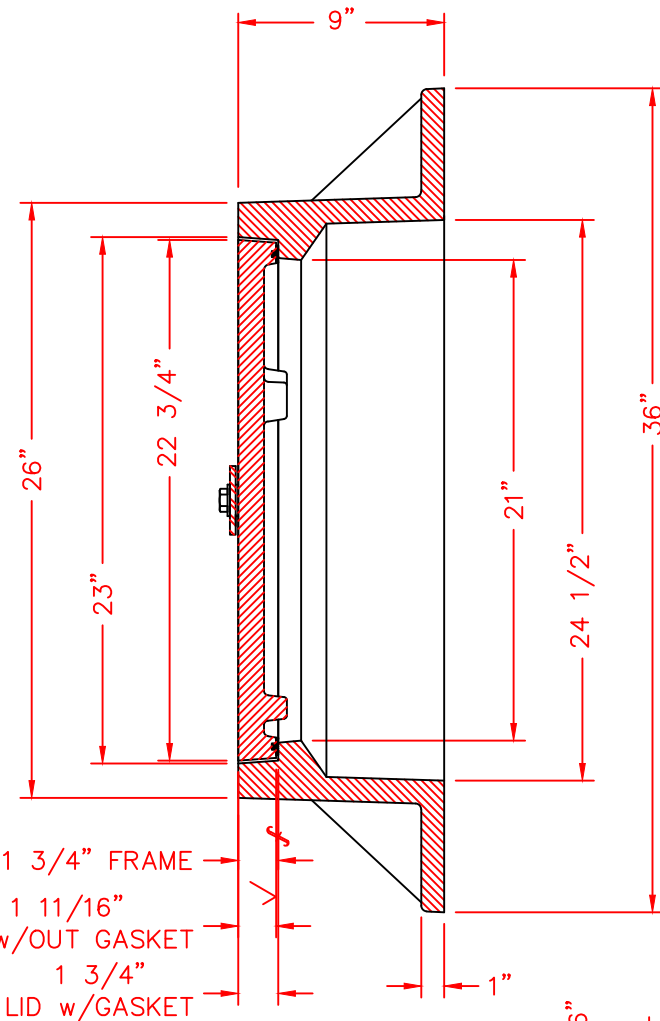
TYPE "B" RECESSED POCKETS

(4) 1" ANCHOR HOLES  
ON 30" DIA. B.C.

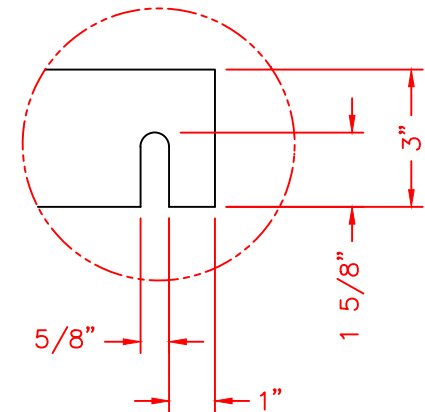
DRILL AND TAP FRAME FOR (2)  
1/2" - 13 X 1" STNLS. STL.  
HEX HEAD BOLTS w/ REINFORCED  
RUBBER AND STAINLESS STEEL WASHERS.  
THE HOLES SHALL BE 1 1/2" DEEP.



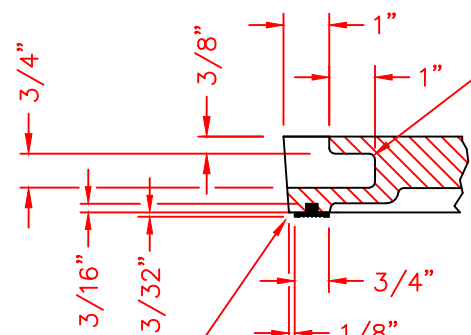
SECTION A-A



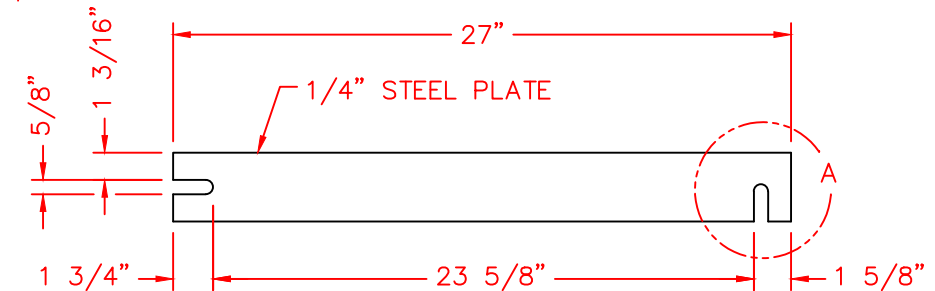
1 3/4" FRAME  
1 11/16"  
LID w/OUT GASKET  
1 3/4"  
LID w/GASKET



DETAIL A  
SCALE 1:4



T-SEAL/CONCEALED PICKHOLE DETAIL  
QUARTER SCALE



SPECIAL LOCK BAR DETAIL  
HARDWARE #01015

NOTE: THE LOCK PLATE SHALL BE ORIENTED SUCH THAT WHEN THE BOLTS  
ARE TIGHTENED IN A (CLOCKWISE) ROTATION, THE PLATE IS PULLED  
INTO THE BOLT AND NOT PUSHED AWAY FROM IT.  
COMPONENT NOS.: FRAME 1712-0269, LID 1015-5513, LOCK KIT #85700  
MATERIAL: CAST GRAY IRON ASTM A-48, CLASS 35B  
FINISH: NO PAINT  
WEIGHT: FRAME 370#, LID 127#

DR.	LMA	SCALE	1/8"=1"	TITLE:	R-1712
CH.					FRAME & LID w/ SPECIAL LOCK, GASKETED
APP.		DWG. CHK.		NEENAH	
DATE	09-02-2005			FOUNDRY COMPANY	NF-1712115
				NEENAH WISCONSIN 54956	B

03-21-2013	REVISED THE LOCK PLATE SLOTS FOR FULL RADIUS	ELN
03-19-2013	REVISED THE LOCK PLATE PER CITY OF SIOUX FALLS	ELN
DATE	REVISION	INT