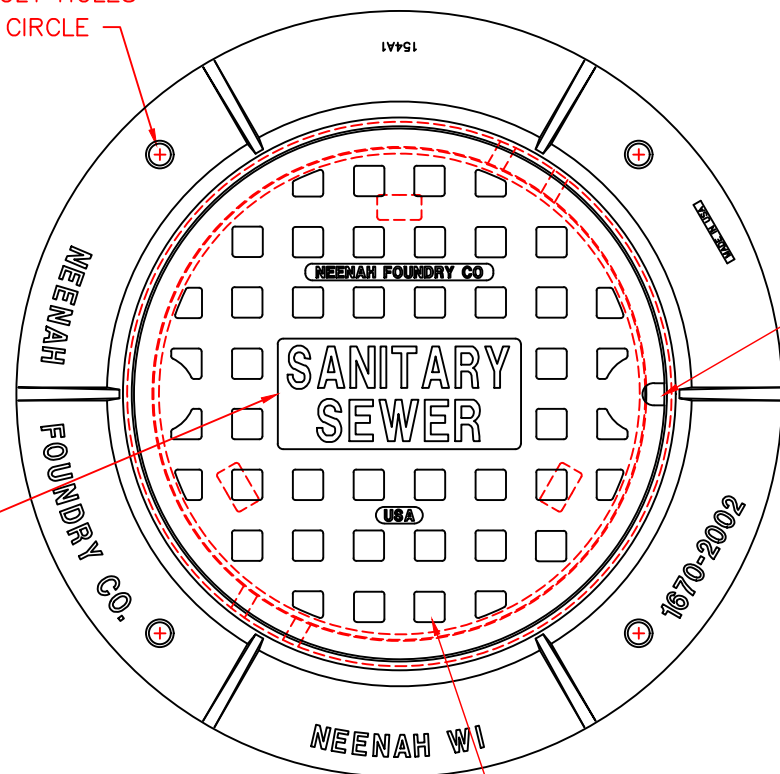


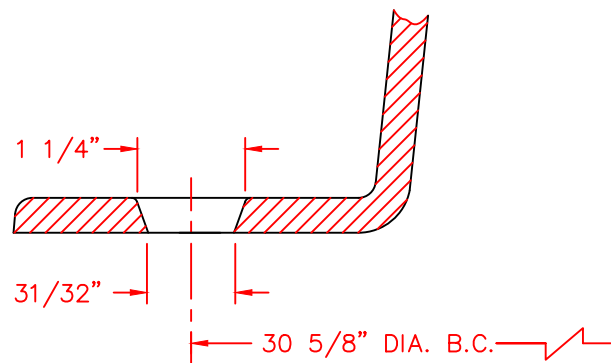
(4) 31/32" DIA. ANCHOR BOLT HOLES
ON A 30 5/8" DIA. BOLT CIRCLE

2" HIGH LETTERS
RAISED FLUSH W/TOP

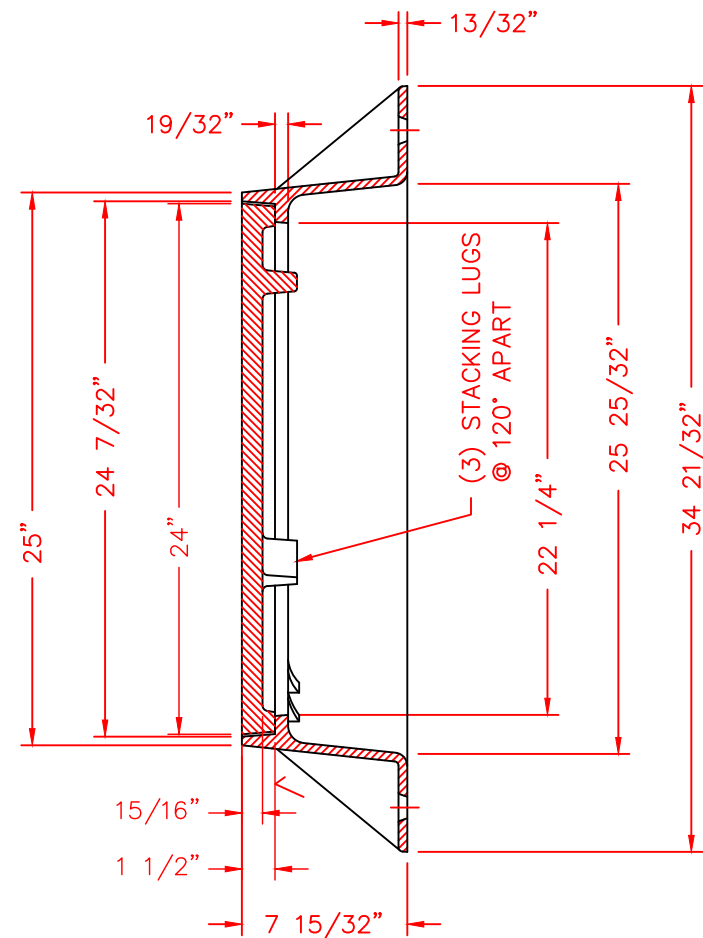


(1) OPEN PICK HOLE

TYPE "B" RECESSED POCKETS



ANCHOR BOLT HOLE DETAIL
SCALE 1:2



(3) STACKING LUGS
@ 120° APART

COMPONENT NO'S.: FRAME 1670-2002, LID 1670-5038
MATERIAL: CAST GRAY IRON ASTM A-48, CLASS 35B
FINISH: NO PAINT, UNLESS SPECIFIED ON PURCHASE ORDER
WEIGHT: FRAME 118 LBS., LID 119 LBS.

DR. RKB	SCALE 1/8"=1"	TITLE: R-1670-A FRAME W/4 ANCHOR HOLES AND LID LTRD. "SANITARY SEWER"
CH. SPT		
APP. SPT	NEENAH FOUNDRY  NEENAH WISCONSIN 54956 PHONE 800-558-5075 LINCOLN, NEBRASKA 68529 PHONE 800-234-7466	
DATE 09-17-2018		
www.nfco.com		NF-1670 870 B