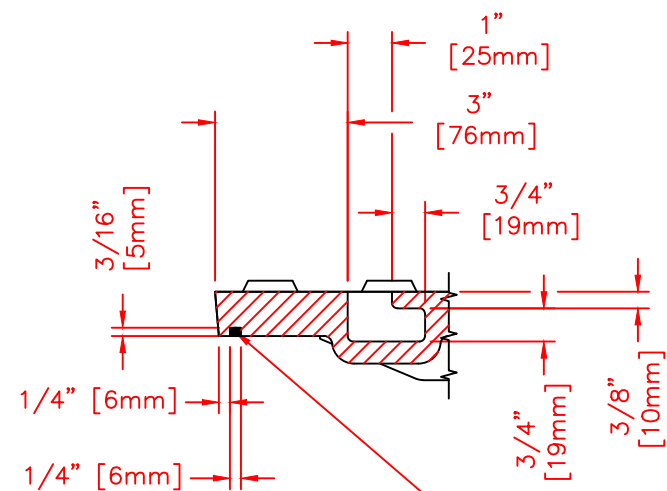
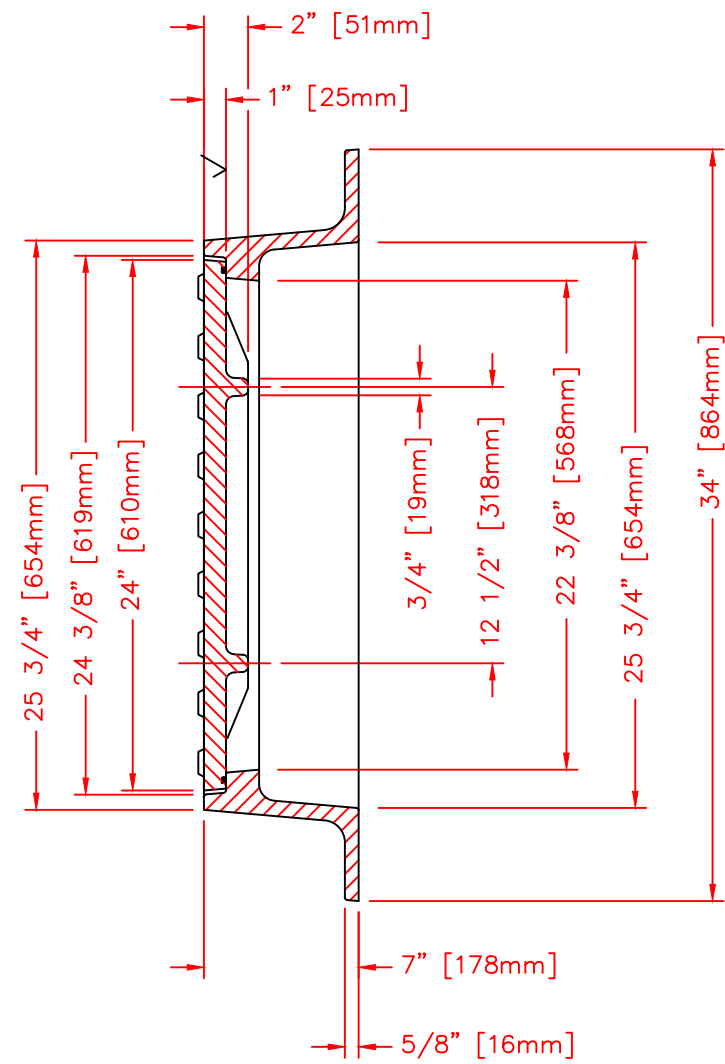


(2) CONCEALED LIFTS
PER NF-25572



MACHINE GROOVE IN LID SEAT
FOR 1/4" [6mm] DIA. CONTINUOUS
POLYISOPRENE GASKET

NF-25572
CONCEALED PICKHOLE DETAIL
QUARTER SCALE



NOTE: ALL DIMENSIONS SHOWN ARE IN ENGLISH AND [METRIC]
COMPONENT NOS.: FRAME 1657-0014, LID 1657-0018
MATERIAL: CAST GRAY IRON ASTM A-48, CLASS 35B
FINISH: NO PAINT
WEIGHT: FRAME 173#, LID 141#

| | | |
|-----------------|---------------|-------------------------------|
| DR. KMH | SCALE 1/8"=1" | TITLE: R-1657-1 |
| CH. | | FRAME AND SELF-SEAL SOLID LID |
| APP. | DIM CHK. | NEENAH FOUNDRY COMPANY |
| DATE 05-27-2003 | | NEENAH WISCONSIN 54956 |
| | | NF-1657 420 B |