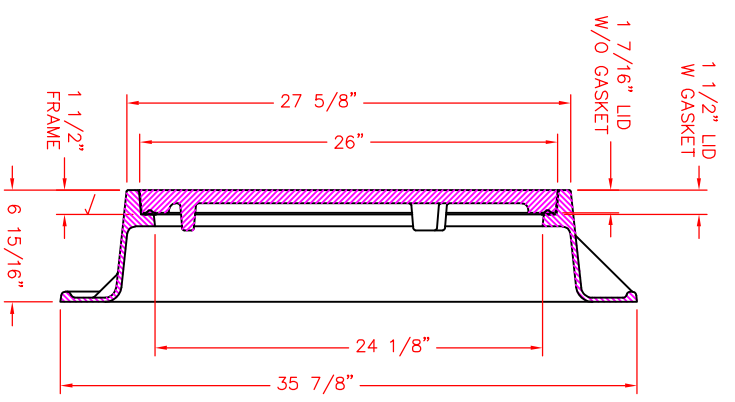
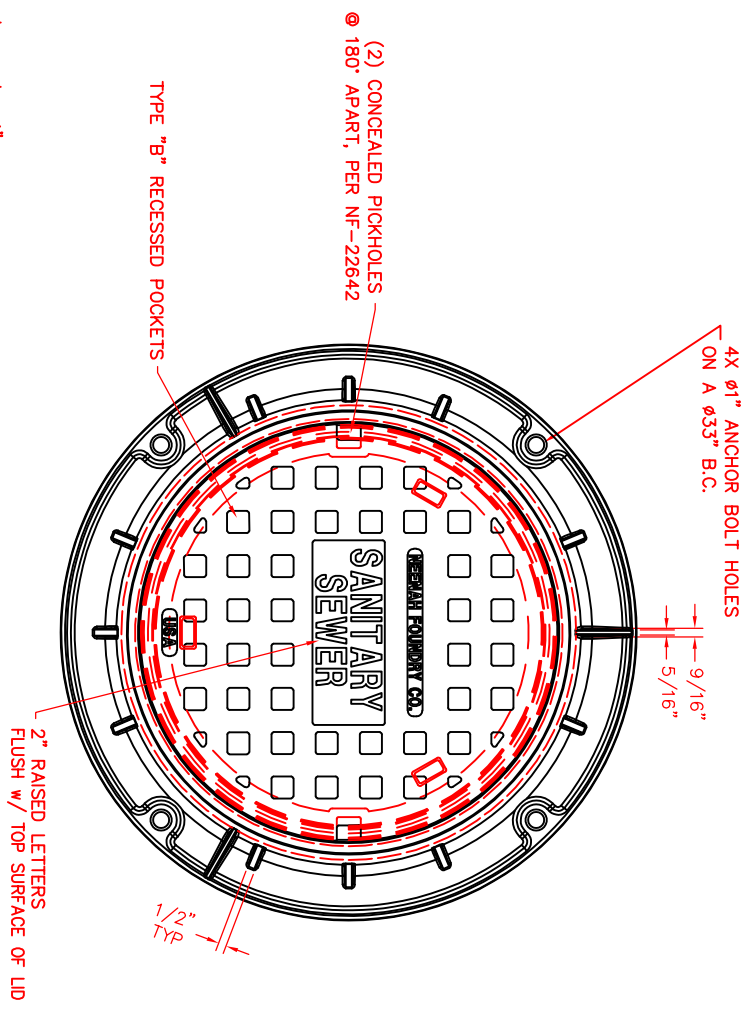
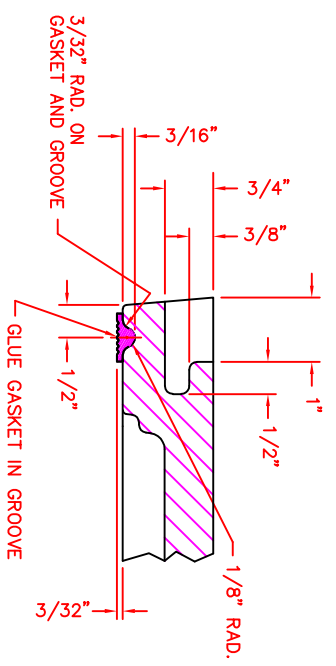


T-SEAL / CONCEALED PICK DETAIL
 HALF SCALE
 (GASKET NO. 02797)



NOTE: ALL DIMENSIONS SHOWN ARE IN ENGLISH
 COMPONENT NOS.: FRAME 1642-2310, LID 1642-5001
 MATERIAL: FRAME - CAST GRAY IRON ASTM A-48, CLASS 40A
 LID - CAST GRAY IRON ASTM A-48, CLASS 35B
 FINISH: NO PAINT
 WEIGHT: FRAME-126#, LID-120#

DR.	CAG	SCALE	TITLE:
CH.	RKB	1/8"=1"	FRAME AND LID, LTRD. "SANITARY SEWER"
APP.	SPT		
DATE	1/22/2014		
NEENAH FOUNDRY NEENAH WISCONSIN 54956 LINCOLN, NEBRASKA 68529 PHONE 800-368-3075 PHONE 800-234-7486			
			R-1642
			NF-1642 310 B