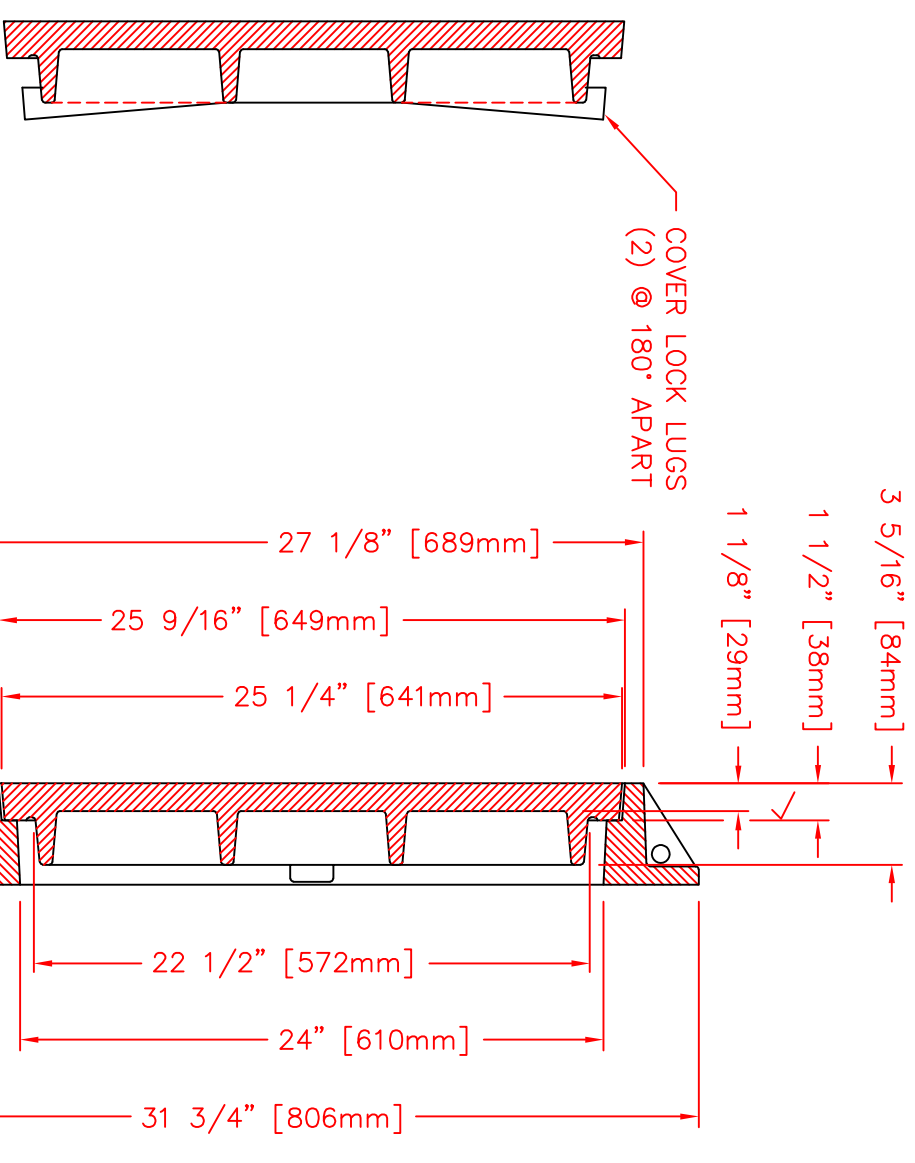


COPE DETAIL



NOTE: ALL DIMENSIONS ARE SHOWN IN ENGLISH AND [METRIC].
 COMPONENT NO'S: FRAME 1574-0001, LID 1574-0005
 MATERIAL: CAST GRAY IRON ASTM A-48, CLASS 35B
 FINISH: NO PAINT
 WEIGHT: 365#/SET

4-02-98	UPDATED DRAWING	EUR
10-29-87	CHECKED DIMENSIONS	EUR
5-01-87	CHANGED NF# FROM NF1574T02	DMA
	DESCRIPTION	INT

DR.	SCALE	TITLE:
CH.	1/8"=1"	R-1574 FRAME & LID LETTERED SEWER
APP.	DIM CHK.	NEENAH FOUNDRY COMPANY NEENAH WISCONSIN 54956
DATE	O.K.	NF-1574 200
2-9-87		B